

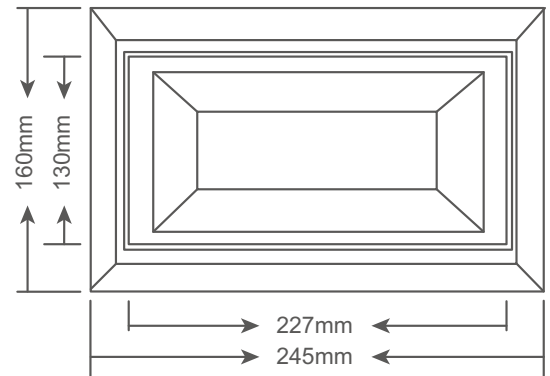
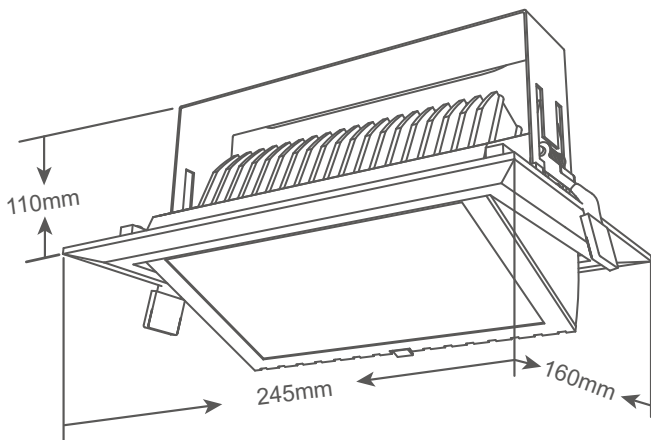
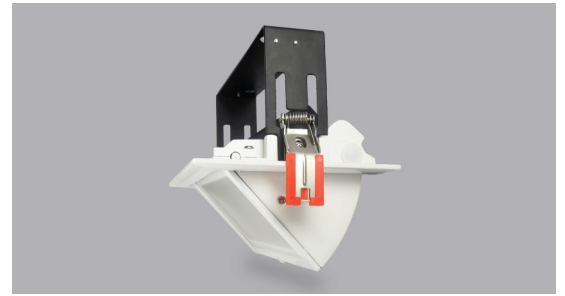


A-UNIQUE

ASIA UNIQUE LED LIGHTING CO., LTD

LED Shop Lighter

AU01-DLR
Series





General Features:

- Aesthetic rectangular shape design
- Magnesium Alloy heat sink for good heat dissipation
- Strong springs to hold the light
- No gap when adjust the angle
- Rubber nails to firm lamp when adjust the angle
- High light efficiency
- CE, RoHS, SAA, C-tick approved
- Triac dimming, 1-10V dimming, Dali dimming available

Technical Specifications

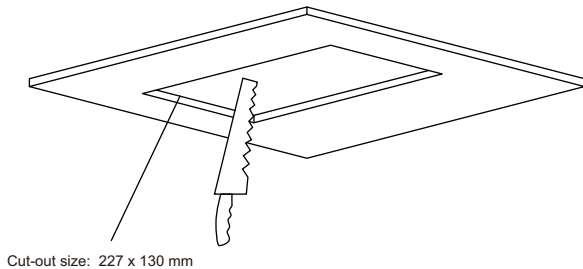
Model No.	AU01-DLR20WXX	AU01-DLR30WXX	AU01-DLR40WXX	AU01-DLR50WXX
Dimension(mm)	245*160*110	245*160*110	245*160*110	245*160*110
Cutout(mm)	227*130	227*130	227*130	227*130
Wattage(w)	20W	30W	40W	50W
Input Voltage(v)	AC220~240V			
Light Source	SMD5630			
SDCM	<6			
CCT(K)	1 CCT	2700K/3000K/4000K/5000K/6000K/6500K optional		
	3 CCT	3000K-4000K-6000K switchable		
Luminous Flux (lm)±5%	1800-2000	2700-3000	3600-4000	4500-5000
CRI	>80Ra			
Beam Angle(°)	90°			
Rotaion Angle	60degree			
Dimming option	Available, Triac dimming, 1-10V dimming, Dali dimming if required			
Fire Rated	Not Available			
Protection Class	Class III			
Degree of protection(IP)	IP20			
Material	Trim	Aluminum		
	Heatsink	Magnesium Alloy		
	Diffuser	Tempered Glass		
Trim Color	white			
L70	54000hrs			
Operation Temp.(°C)	-20~ 45°C			
Installation	Recessed			
Certificates	CE, RoHS, SAA & C-tick			
Warranty	3 Years			

Packing information

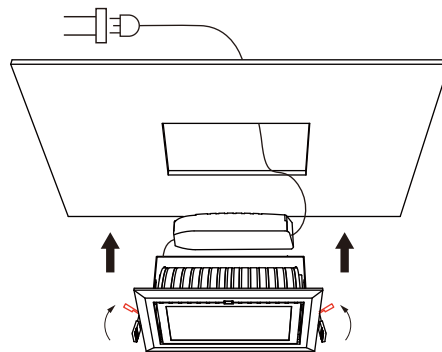
Model Number	Weight/Luminaire (kg)	QTY/BOX (pcs)	Inner Box Size (mm)	Weight/Box (kg)	QTY/CTN (pcs)	Carton Size (cm)	Weight/CTN (kg)	QTY/20GP (PCS)	QTY/40GP (PCS)	QTY/40HQ (PCS)
AU01-DLR20WXX	1.7	1	285*180*200	1.9	8	59*39*43	17	2080	4280	5136
AU01-DLR30WXX	1.7	1	285*180*200	1.9	8	59*39*43	17	2080	4280	5136
AU01-DLR40WXX	1.7	1	285*180*200	1.9	8	59*39*43	17	2080	4280	5136
AU01-DLR50WXX	1.7	1	285*180*200	1.9	8	59*39*43	17	2080	4280	5136

Installation

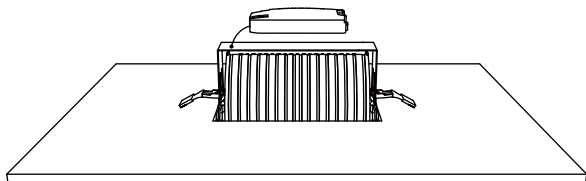
Step 1: Make sure to turn off the main power switch off the installation space before connect



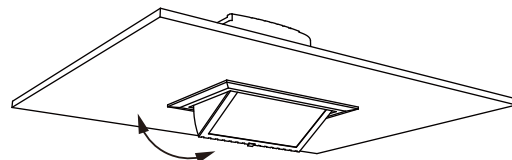
Step 2: Connect the supply cord to power supply



Step 3: The lamp into the mounting hole of cutting by spring, the lamp is installed into the hole.



Step 4: Turn the power switch on to verify that the product is working properly.



* For the product with 3-color Selection, please select the light color(WW/CW/DL)before installation.

Please Note:

- * Turn off and isolate the electrical supply before connecting this fitting to the building wires.
- * Must be installed, or connected by licenced electrician.
- * The Luminaires are intended for indoor use only.

Applications:

- Supermarkets
- Shopping Malls
- Convenience Store
- Retail Shops
- Exclusive Shop
- 4S store