

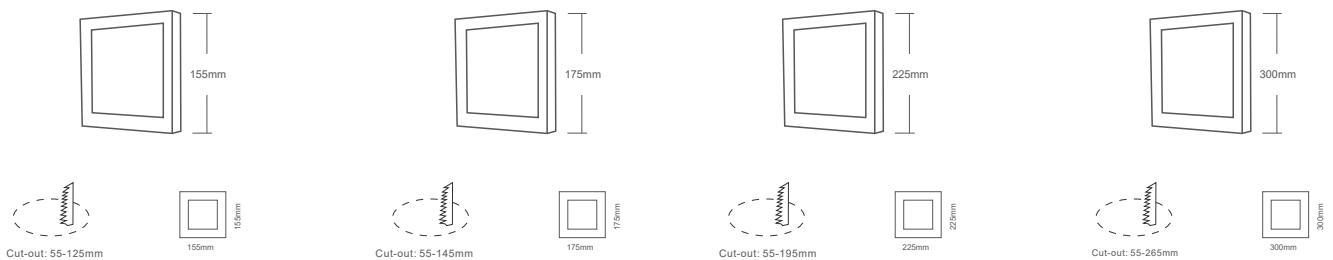
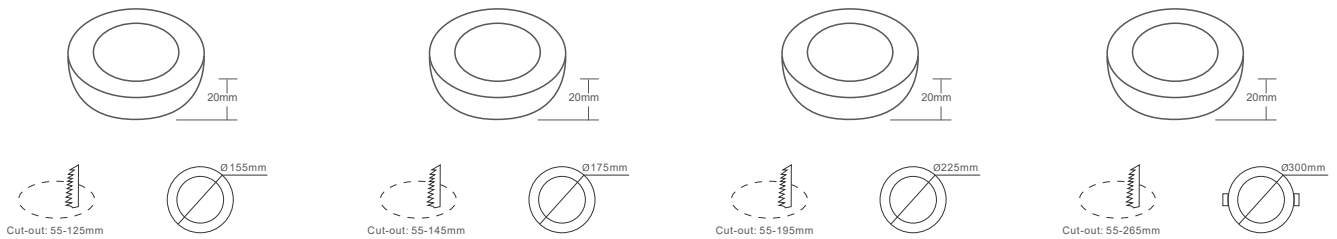
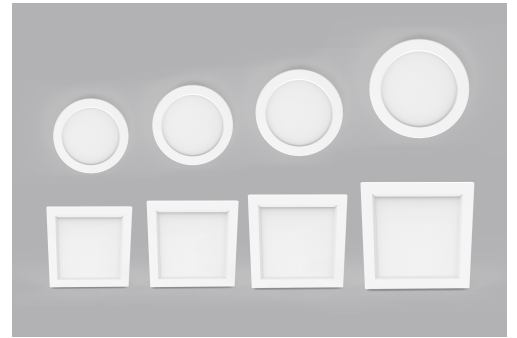
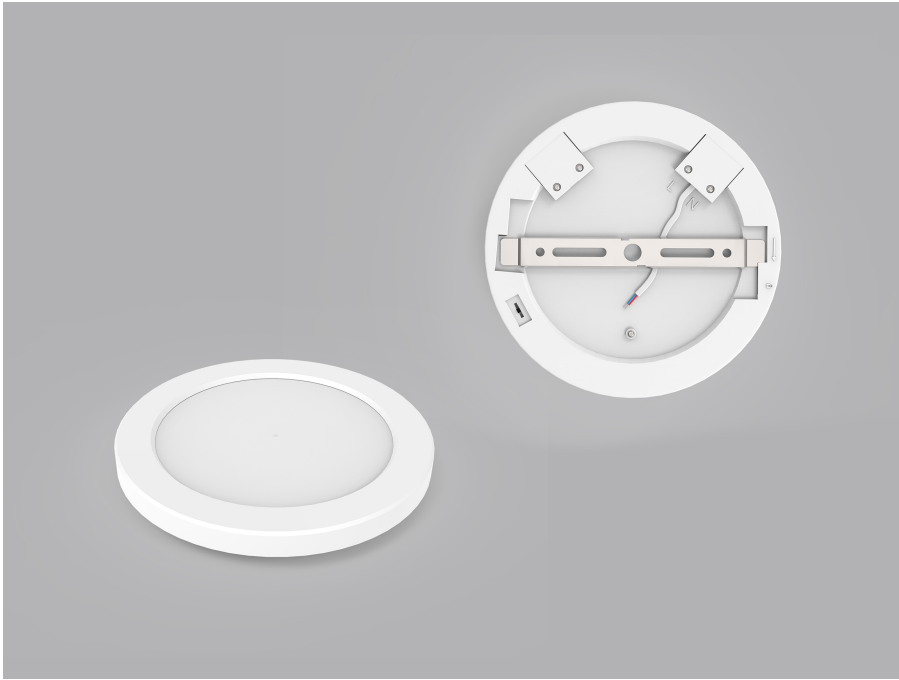


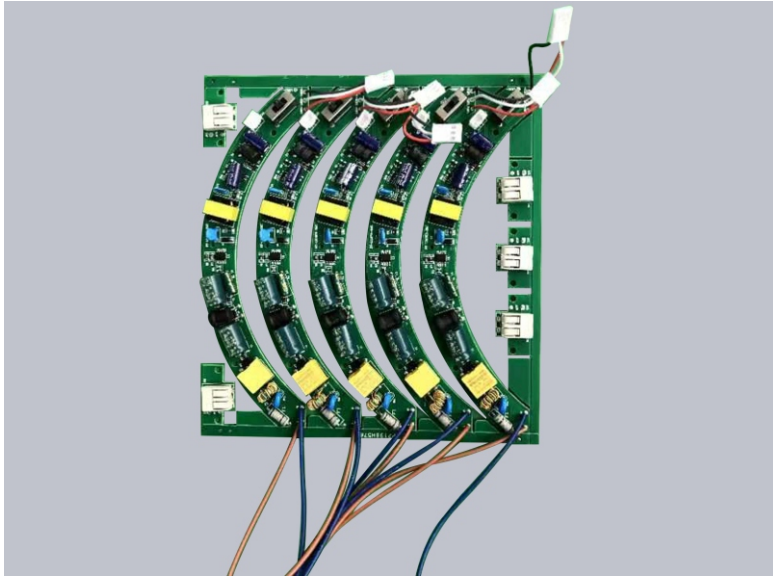
A-UNIQUE

ASIA UNIQUE LED LIGHTING CO., LTD

Multi-fit LED Ceiling Light

AU03/AU04 Series





General Features:

- Ultra-thin, only 20mm height
- Multi-fit, can be surface mounted or recessed
- Adjustable cutout
- Integrated Constant Current Driver, reliable quality
- High Luminous Efficacy, $\geq 90\text{lm/w}$
- Tri-color, Microwave sensor options are available
- Round & Square, from 4inch to 10inch
- 3 Years Warranty

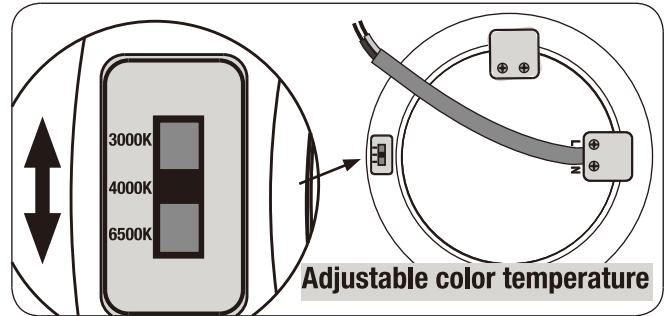
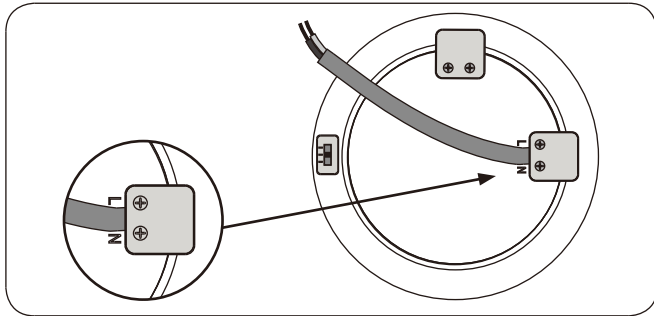
Technical Specifications

| Model No. | AU03-CL9W | AU03-CL12W | AU03-CL18W | AU03-CL24W | AU04-CL9W | AU04-CL12W | AU04-CL18W | AU04-CL24W |
|--------------------------|---|------------|------------|------------|---------------|---------------|---------------|---------------|
| Dimension(mm) | Ø 155*H20 | Ø 175*H20 | Ø 225*H20 | Ø 300*H20 | Ø 150*150*H20 | Ø 175*175*H20 | Ø 225*225*H20 | Ø 300*300*H20 |
| Cutout(mm) | 55-125 | 55-145 | 55-195 | 55-265 | 55-125 | 55-145 | 55-195 | 55-265 |
| Wattage(w) | 9W | 12W | 18W | 24W | 9W | 12W | 18W | 24W |
| Input Voltage(v) | AC100~265V | | | | | | | |
| Light Source | SMD2835 | | | | | | | |
| SDCM | <6 | | | | | | | |
| CCT(K) | 1 CCT 2700K/3000K/4000K/5000K//6000K/6500K | | | | | | | |
| | 3 CCT 3000K-4000K-5000K or 3000K-4000K-5700K or 4000K-5000K-6500K | | | | | | | |
| Luminous Flux (lm)±5% | 770-850 | 1026-1134 | 1540-1700 | 2050-2268 | 770-850 | 1026-1134 | 1540-1700 | 2050-2268 |
| CRI | >80Ra | | | | | | | |
| Beam Angle(°) | 120° | | | | | | | |
| Dimming option | Non-dimmable | | | | | | | |
| Sensor option | Available | | | | | | | |
| Emergency Kits | No | | | | | | | |
| Protection Class | Class II | | | | | | | |
| Degree of protection(IP) | IP20 | | | | | | | |
| Impact Resistance(IK) | IK04 | | | | | | | |
| Material | Aluminum + PC | | | | | | | |
| Housing Color | White | | | | | | | |
| L70 | 54000Hrs | | | | | | | |
| Operation Temp.(°C) | -20~ 45°C | | | | | | | |
| Installation | Surface Mount / Recessed Mount(With adjustable cutout size) | | | | | | | |
| Warranty | 3 Years | | | | | | | |

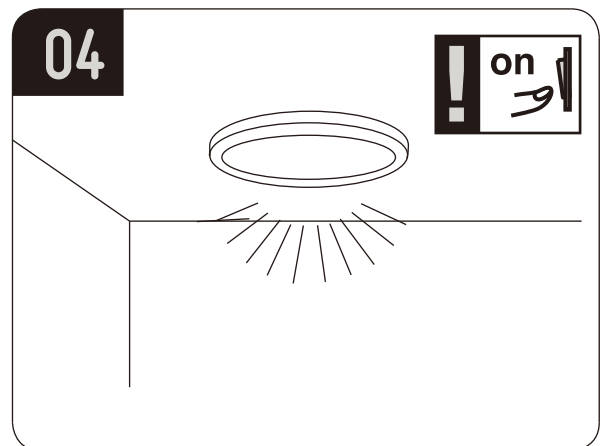
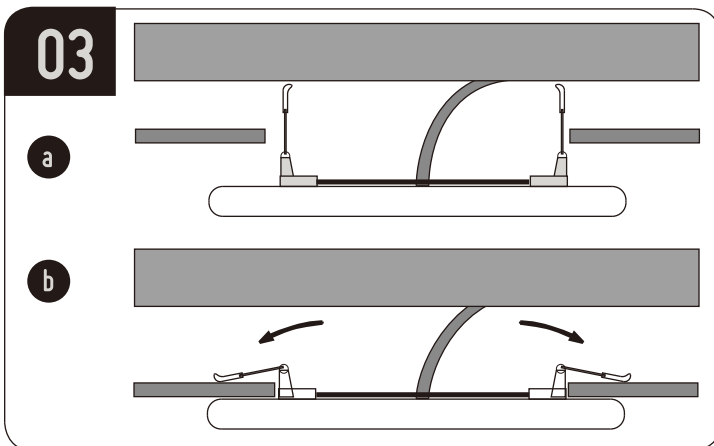
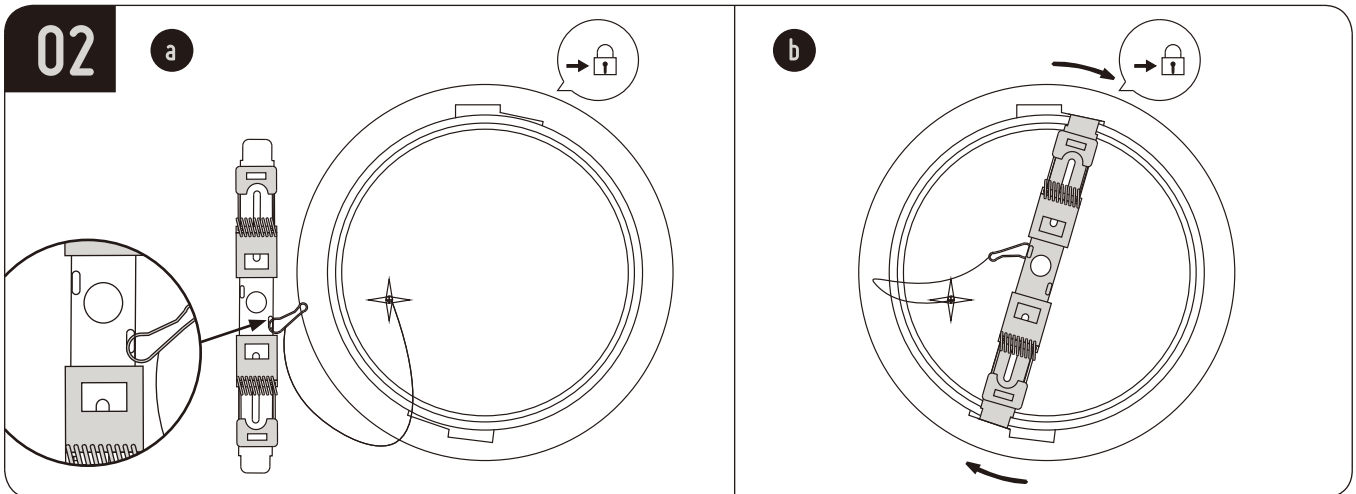
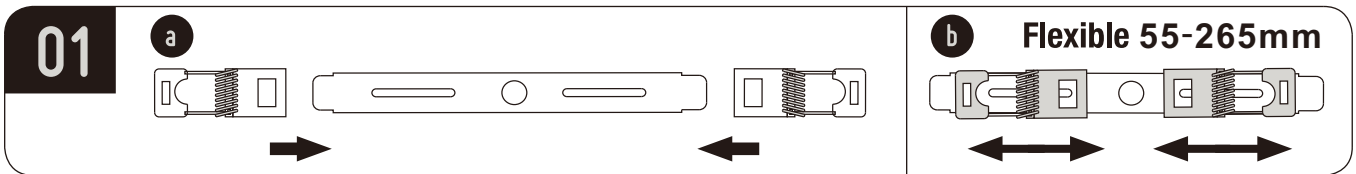
Packing information

| Model Number | QTY/CTN(pcs) | Carton Size(cm) | QTY/20GP(PCS) | QTY/40GP(PCS) | QTY/40HQ(PCS) |
|--------------|--------------|-----------------|---------------|---------------|---------------|
| AU03-CL9W | 60 | 51*31*34.5 | 31260 | 63240 | 71760 |
| AU03-CL12W | 40 | 35.5*31*38.5 | 24200 | 48800 | 56760 |
| AU03-CL18W | 20 | 48.5*31*25 | 15200 | 30660 | 34760 |
| AU03-CL24W | 20 | 63.5*31*32.5 | 8820 | 17640 | 20160 |
| AU04-CL9W | 60 | 54*33*38.5 | 24840 | 50340 | 57480 |
| AU04-CL12W | 40 | 40.5*33*42.5 | 26880 | 54080 | 61920 |
| AU04-CL18W | 20 | 50.5*33*27 | 12760 | 25560 | 29360 |
| AU04-CL24W | 20 | 66.5*33*35 | 6120 | 12240 | 14280 |

Installation Instructions

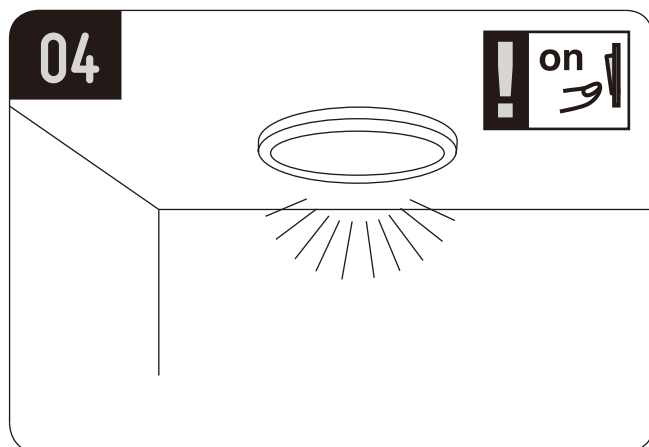
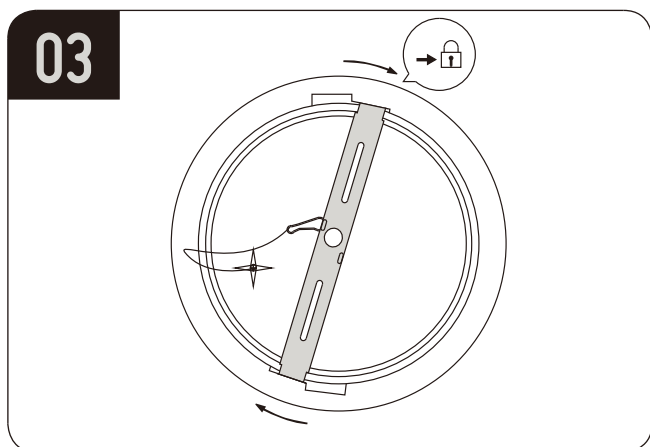
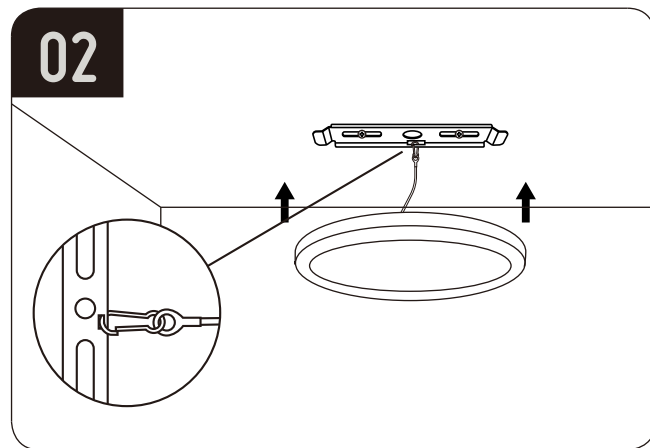
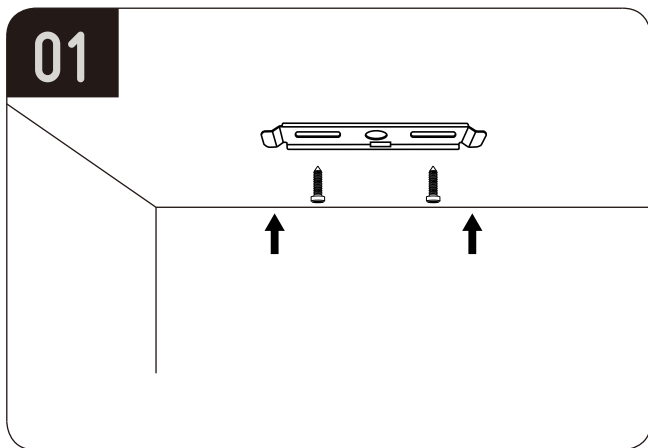


Method A



Installation Instructions

Method B



Please Note:

- * Turn off and isolate the electrical supply before connecting this fitting to the building wires.
- * Must be installed, or connected by licenced electrician.
- * The Luminaires are intended for indoor use only.

Applications:

- Bedroom
- Living room
- Office Buildings
- Hotels
- Kitchen
- Aises