

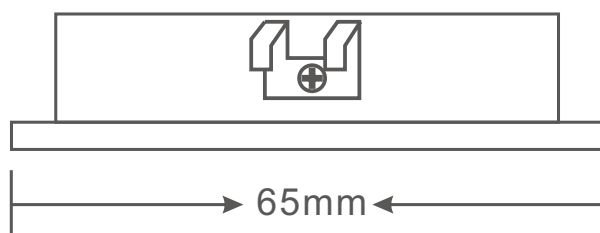
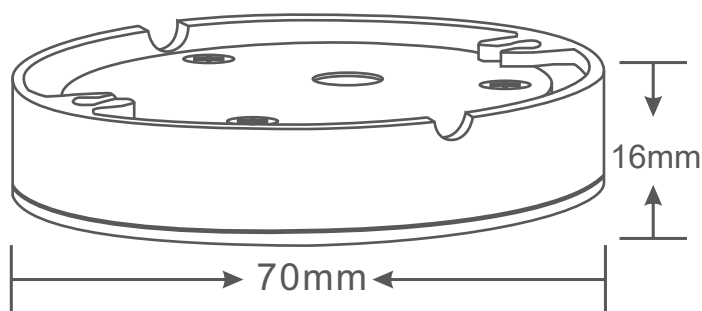
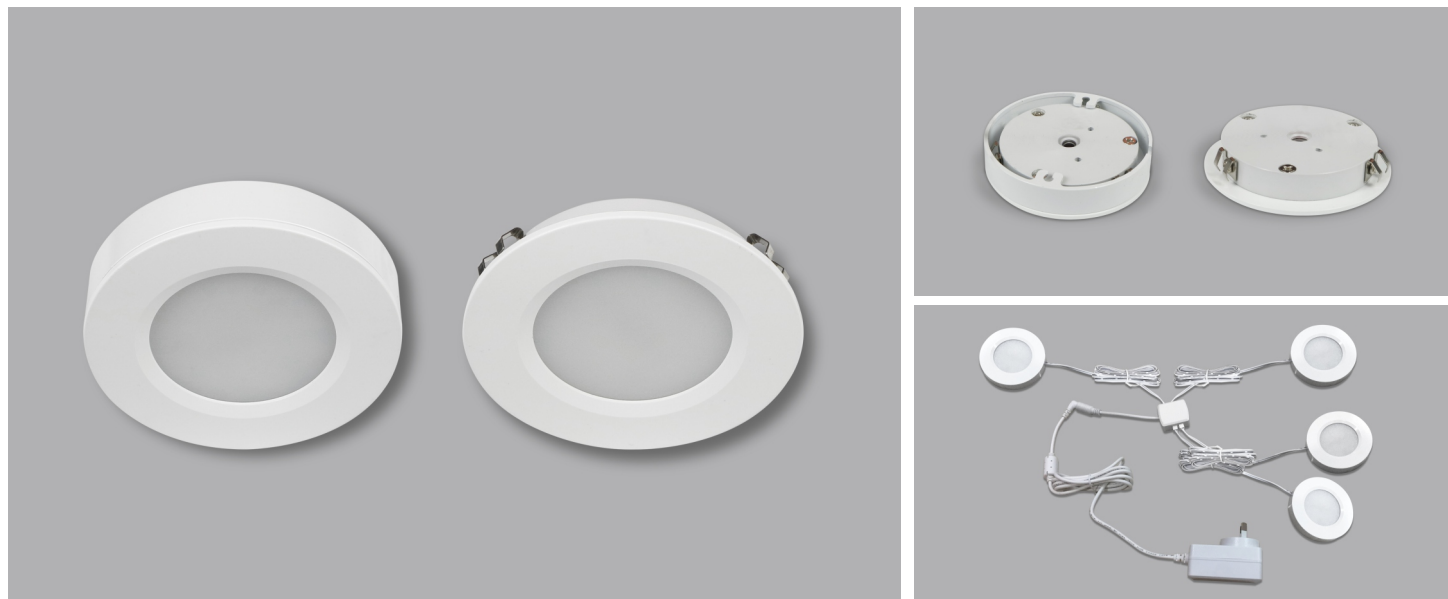


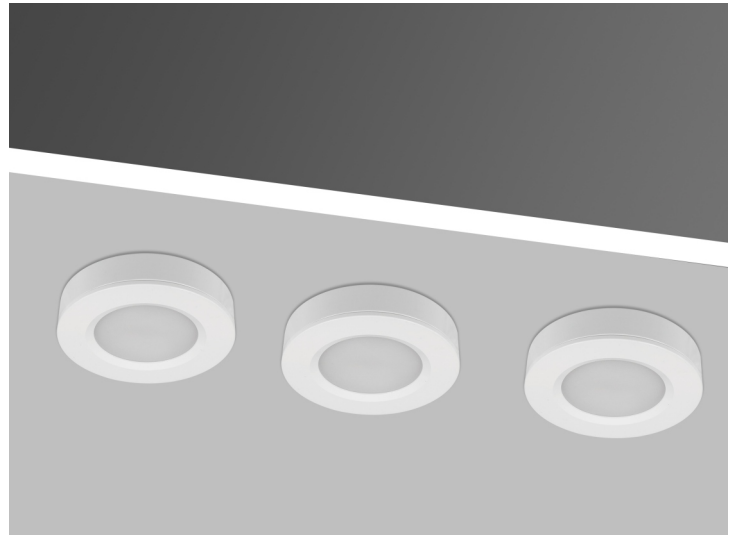
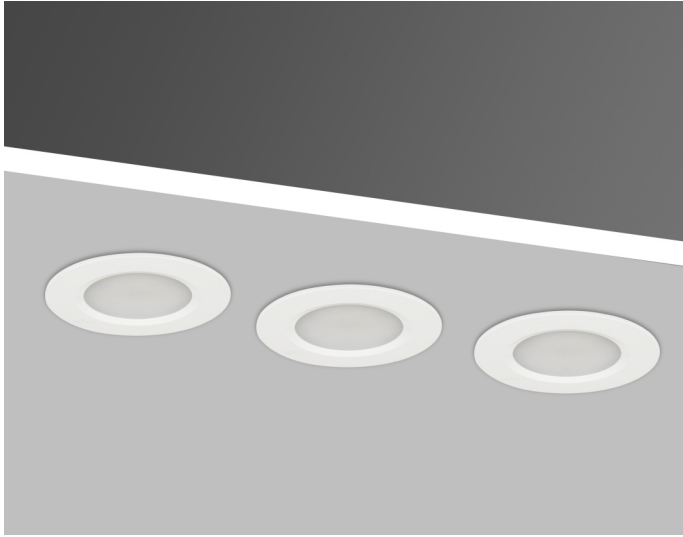
A-UNIQUE

# ASIA UNIQUE LED LIGHTING CO., LTD

## LED Cabinet Light

### AU02-DL Series





## General Features:

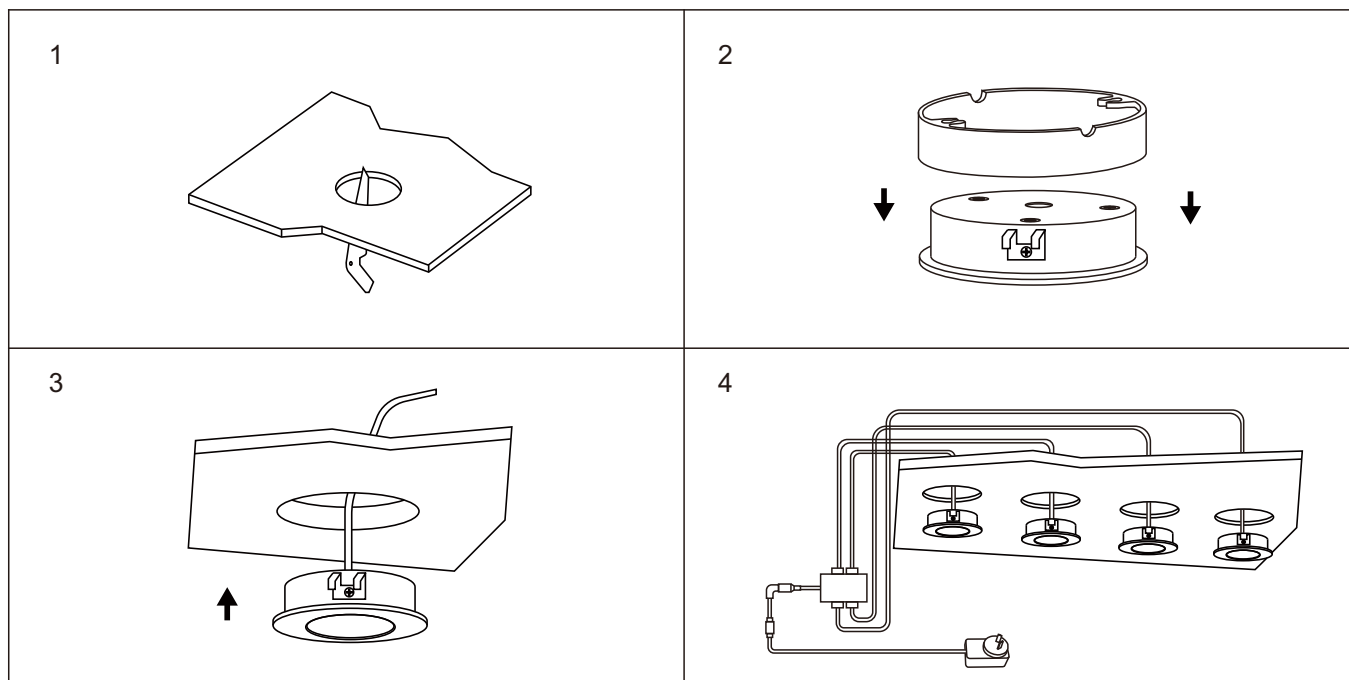
- Pre-wired with 2m cable and quick fix connector
- Durable die-cast aluminium body profile
- Low profile design, only 16mm height
- 1 driver can run 1pcs/4pcs/6pcs/8pcs/10pcs/ 12pcs.....
- Single CCT & **3K/4K/6K Switchable** available
- Smooth Even Light output
- Two mounting options, **recessed or surface mounted**
- 12V DC Constant Voltage LED Driver required
- Wire in Parallel: when you remove one lamp, it will not affect other lamps.

## Technical Specifications

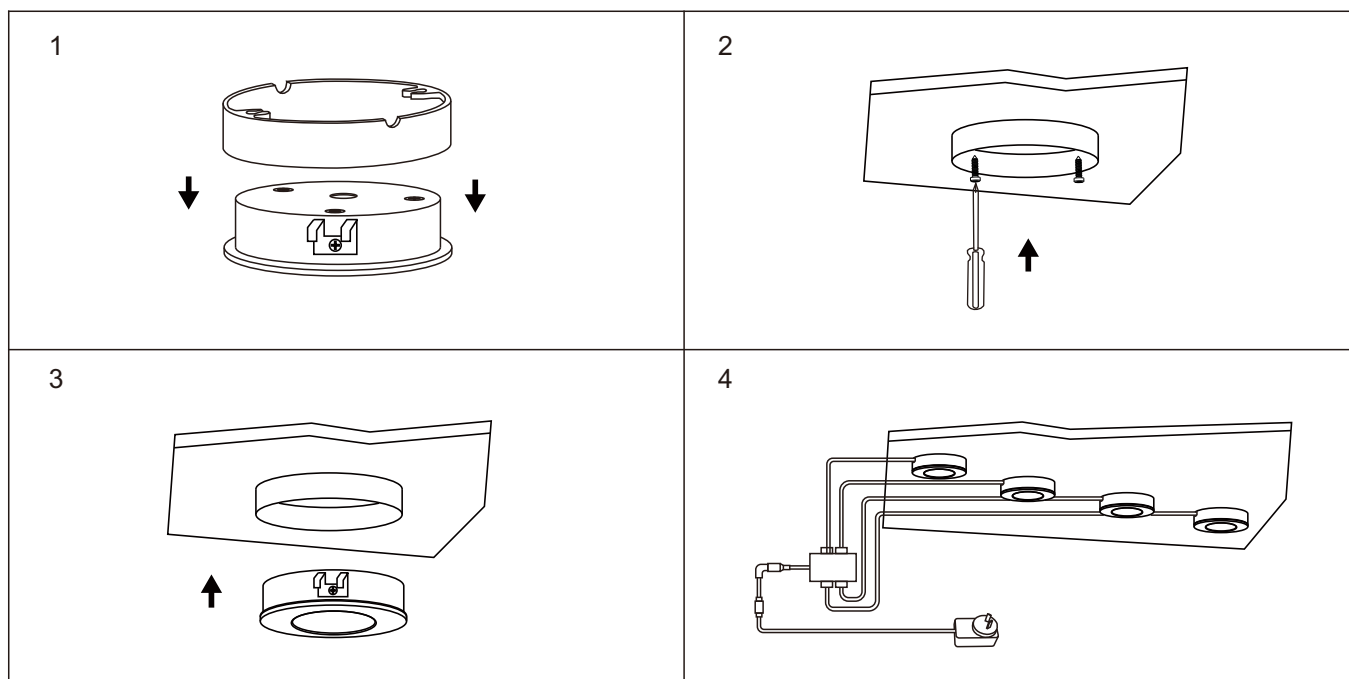
Model No.	AU02-DL3W
Dimension(mm)	Ø70*H16
Cutout(mm)	57
Wattage(w)	3W
Input Voltage(v)	DC12V
Light Source	SMD2835
SDCM	<6
CCT(K)	2700K/3000K/4000K/5000K/5700K/6500K Or 3K/4K/6K switchable
Luminous Flux (lm)±5%	200lm±5%
CRI	>80Ra or >90Ra optional
Beam Angle(°)	120°
Dimming option	Non-dimmable ( Dimmable is available if needed)
<b>Wiring</b>	Parallel
Protection Class	Class III
Degree of protection(IP)	IP20
Tilttable or not	NO
Material	Aluminum + PC
Trim Color	White / Silver / Black
L70	50000Hrs
Operation Temp.(°C)	-20~ 45°C
Installation	Surface Mounted / Recessed Mounting
Certificates	CE, RoHS
Warranty	3 Years

# Installation Instructions

## 1. Recessed Mounting



## 2. Surface Mounted



### Please Note:

- \* Turn off and isolate the electrical supply before connecting this fitting to the building wires.
- \* Must be installed, or connected by licenced electrician.
- \* The Luminaires are intended for indoor use only.

### Applications:

- Under Cabinets
- Display Cases
- Bar Shelf Displays
- Kitchen Wall
- Units Shelvings
- Home Theatres
- Bed Headboards
- Area you want to highlight