

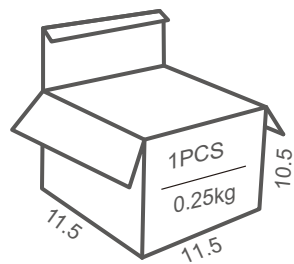
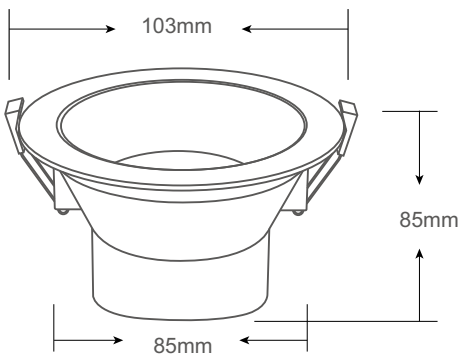
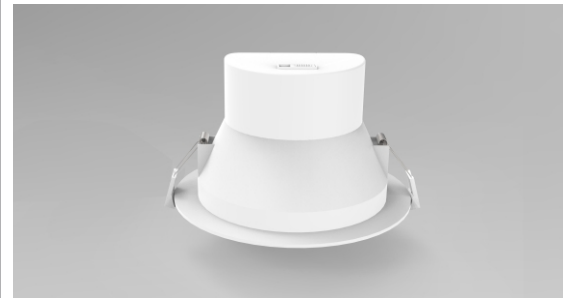


A-UNIQUE

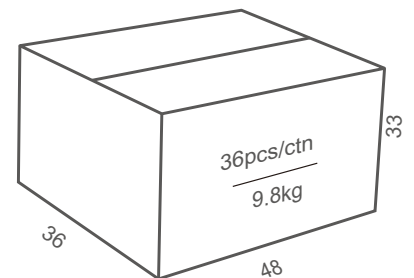
ASIA UNIQUE LED LIGHTING CO., LTD

AU30 LED Downlight

ECO COB Series



Inner box size (CM)



Carton size (CM)



General Features:

- Distinctive deep recessed, low glare design
- Tri-colour: WW / CW/ DL selectable via switch on rear
- IP20 rated for the rear, IP44 rated for the front
- SAA, C-tick, CE and RoHS can be tested if you place formal order
- 3 years warranty

Technical Specifications

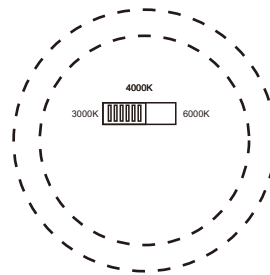
Model No.	AU30-DL10W-3C
Dimension(mm)	Ø103*H85
Cutout(mm)	85
Wattage(w)	10W
Input Voltage(v)	AC220~240V
Light Source	COB
SDCM	<6
CCT(K)	3000K-4000K-6000K Switchable
Luminous Flux (lm)±5%	700-900lm
CRI	>80Ra or >90Ra optional
Beam Angle(°)	60°
Dimming option	Triac Dimming
Fire Rated	No
Protection Class	Class II
Degree of protection(IP)	IP20 for the whole luminaire, IP44 for the front portion of the lamp
Material	Plastic + Aluminum
Color	White or Black
L70	>54000Hrs
Operation Temp.(°C)	-20~ 45°C
Installation	embedded
Certificates	CE, Rohs, SAA & C-tick
Warranty	3 Years

Packing information

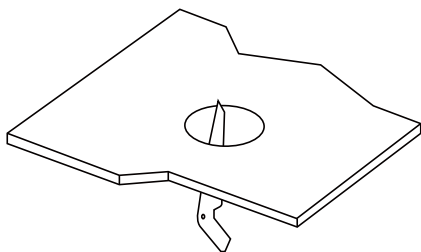
Model Number	Weight/Luminaire (kg)	QTY/BOX (pcs)	Inner Box Size (mm)	Weight/Box (kg)	QTY/CTN (pcs)	Carton Size (cm)	Weight/CTN (kg)	QTY/20GP (PCS)	QTY/40GP (PCS)	QTY/40HQ (PCS)
AU30-DL10W-3C	0.20	1	115*115*105	0.25	36	48*36*33	9.8	17712	35424	41328

Installation Instructions

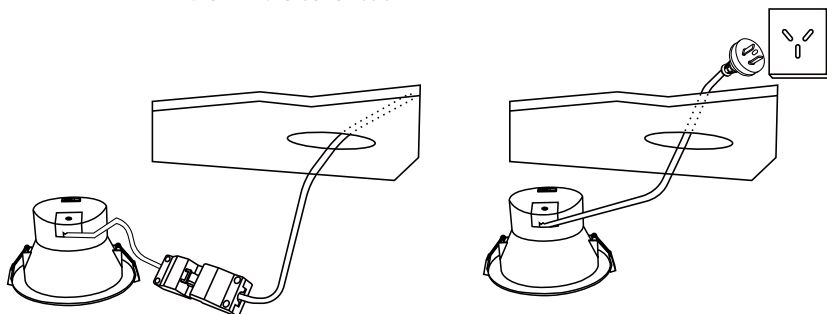
Select the CCT via the switch
on the back of the downlight before the installation



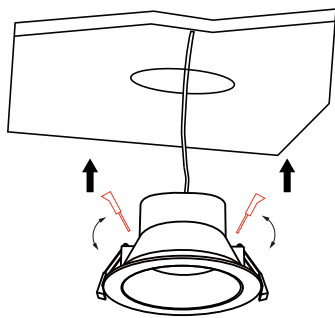
1. Open a hole according to the cutout size of led
downlight.



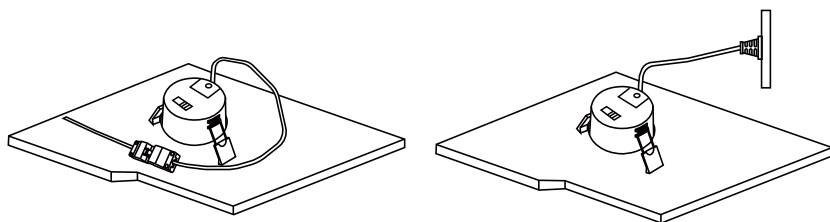
2. Use screw-driver to open the driver terminal cover,
feed the main AC wire L. N. in terminal block respectively,
then fix the cover back.



3. Connect the downlight with driver, hold back the spring
clip then push the downlight into the hole.



4. Make sure the downlight fixed tightly in ceiling,
turn on the power.



Please Note:

- * Turn off and isolate the electrical supply before connecting this fitting to the building wires.
- * Must be installed, or connected by licenced electrician.
- * The Luminaires are intended for indoor use only.

Applications:

- Hospitality applications
- Residential applications
- Office Buildings
- Hotels
- Shopping Malls
- Supermarkets