

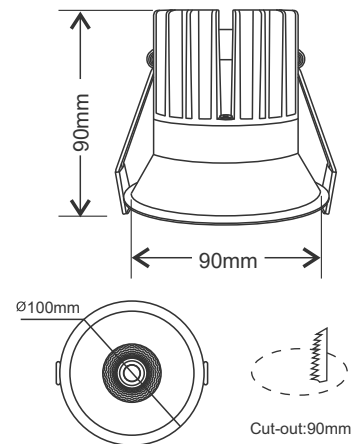
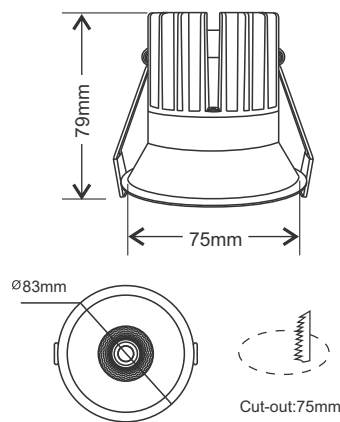
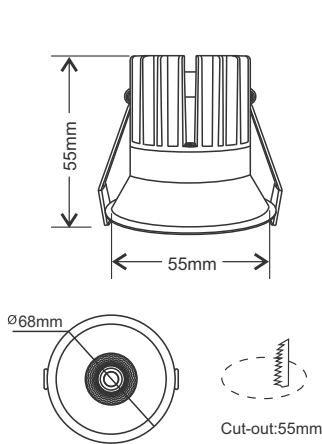
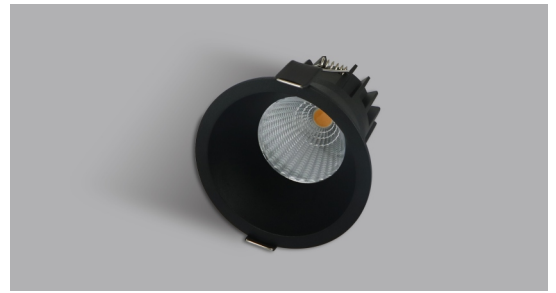


A-UNIQUE

ASIA UNIQUE LED LIGHTING CO., LTD

AU21 Low Glare LED Downlight

AU21-DL Series





General Features:

- Distinctive design, deep recess and trimless fitting
- Low Glare downlight with superb soft light glow
- Flicker free dimming led driver, 90Ra led chip and 3-CCT are available if required
- IP44 rated for the front, ideal for corridors, bathrooms, dining rooms and bedroom, etc.
- SAA, C-tick, CE and RoHS approved
- 3years warranty

Technical Specifications

Model No.	AU21-DL5W	AU21-DL10W	AU21-DL12W	AU21-DL15W	AU21-DL18W
Dimension(mm)	Ø68*H55	Ø83*H79	Ø83*H79	Ø100*H90	Ø100*H90
Cutout(mm)	55	75	75	90	90
Wattage(w)	5W	7W	15W	18W	18W
Input Voltage(v)	AC220~240V				
Light Source	COB				
SDCM	<6				
CCT(K)	1 CCT	2700K/3000K/4000K/5000K//6000K/6500K			
	3 CCT	2700K-4000K-6500K or 3000K-4000K-6000K			
Luminous Flux (lm)±5%	250-300	850-870	1020-1044	1200-1300	1500-1600
CRI	>80Ra or >90Ra optional				
Beam Angle(°)	15°/24°				
Dimming option	Yes, Triac Dimming (Flicker Free if required)				
Fire Rated	Available, if required				
Protection Class	Class III				
Degree of protection(IP)	IP20 for the whole luminaire, IP44 for the front portion of the lamp				
Material	Trim	Aluminum			
	Heat-sink	Aluminum			
	Diffuser	PMMA			
Trim Color	white/black/silver/satin chrome				
L70	>54000Hrs				
Operation Temp.(°C)	-20~ 45°C				
Installation	recessed				
Certificates	CE, RoHS, SAA & C-tick				
Warranty	3 Years				

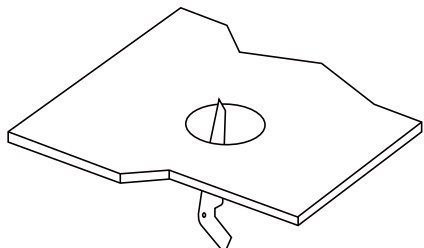
Packing information

Model Number	Weight/Luminaire (kg)	QTY/BOX (pcs)	Inner Box Size (mm)	Weight/Box (kg)	QTY/CTN (pcs)	Carton Size (cm)	Weight/CTN (kg)	QTY/20GP (PCS)	QTY/40GP (PCS)	QTY/40HQ (PCS)
AU21-DL5W	0.33	1	115*115*105	0.38	36	48*36*33.5	14.5	17712	35424	41328
AU21-DL10W	0.38	1	115*115*120	0.43	36	48*36*38	16.5	16416	32832	38016
AU21-DL12W	0.38	1	115*115*120	0.43	36	48*36*38	16.5	16416	32832	38016
AU21-DL15W	0.45	1	115*115*140	0.52	36	48*36*44	19.5	13824	27648	32832
AU21-DL18W	0.45	1	115*115*140	0.52	36	48*36*44	19.5	13824	27648	32832

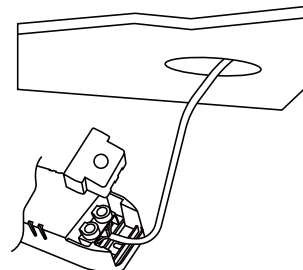
* Above datas are for downlights with flicker free led driver.

Installation Instructions

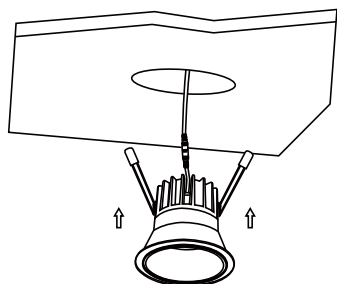
1. Open a hole according to the cutout size of led downlight.



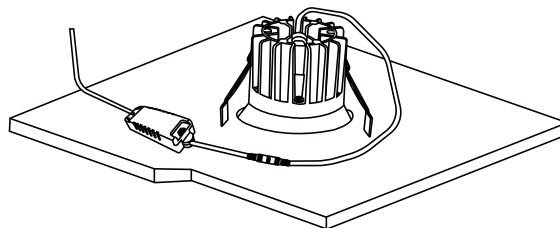
2. Use screw-driver to open the driver terminal cover, feed the main AC wire L. N. in terminal bock respectively, then fix the cover back.



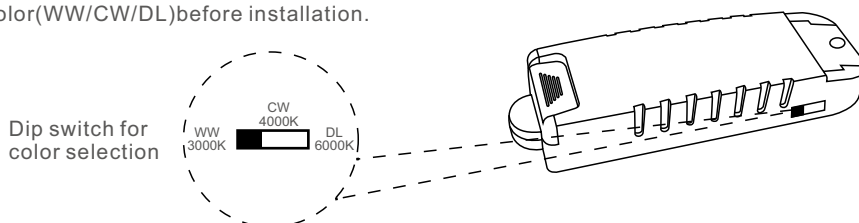
3. Connect the downlight with driver, hold back the spring clip then push the downlight into the hole.



4. Make sure the downlight fixed tightly in ceiling, turn on the power.



* For the product with 3-color Selection, please select the light color(WW/CW/DL)before installation.



Please Note:

- * Turn off and isolate the electrical supply before connecting this fitting to the building wires.
- * Must be installed, or connected by licenced electrician.
- * The Luminaires are intended for indoor use only.

Applications:

- Hospitality applications
- Residential applications
- Office Buildings
- Hotels
- Shopping Malls
- Supermarkets