

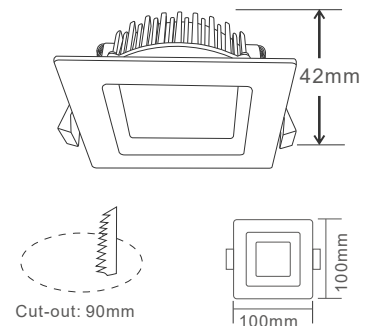
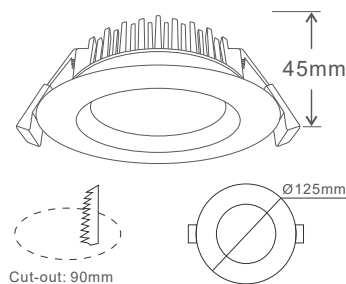
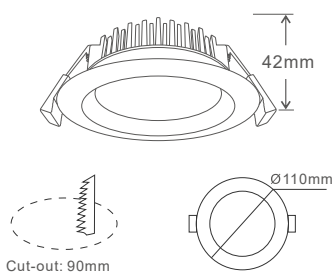


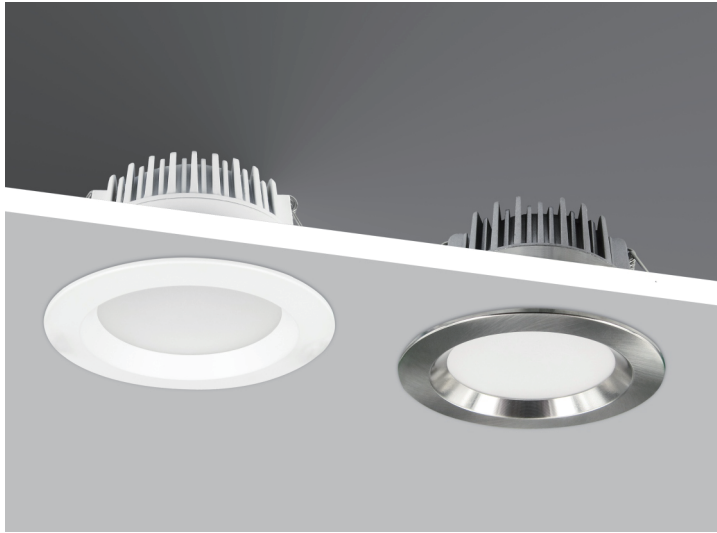
A-UNIQUE

ASIA UNIQUE LED LIGHTING CO., LTD

AU12 LED Downlight

AU12-DL Series





General Features:

- Die-casting Aluminum heat sink, excellent heat dissipation
- IP44 for the front, Anti-fog
- 3CCT in one is available if required
- 90Ra led chip available if required
- PMMA diffuser, high Light transmittance, soft & uniform light
- Triac dimmable, support most European and Australian dimmers
- Flicker free dimming led driver available if required
- SAA, C-tick, CE and RoHS approved
- 3 years warranty

Technical Specifications

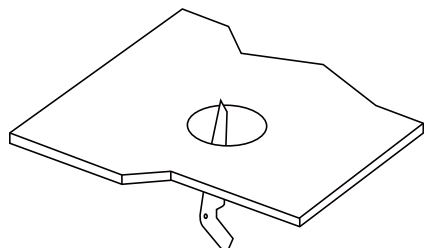
Model No.	AU12-DL10W	AU12-DL12W	AU12-DL10W-W	AU12-DL12W-W	AU12-DL10W-S	AU12-DL12W-S
Dimension(mm)	Ø110*H42	Ø110*H42	Ø125*H45	Ø125*H45	100*100*H42	100*100*H42
Cutout(mm)	90	90	90	90	90	90
Wattage(w)	10W	12W	10W	12W	10W	12W
Input Voltage(v)	AC200~240V					
Light Source	SMD2835					
SDCM	<6					
CCT(K)	1 CCT	2700K/3000K/4000K/5000K//6000K/6500K				
	3 CCT	2700K-4000K-6500K or 3000K-4000K-6000K				
Luminous Flux (lm)±5%	740-800	1125-1200	740-800	1125-1200	740-800	1125-1200
CRI	>80Ra					
Beam Angle(°)	90°					
Driver	Triac dimmable					
Fire Rated	Available, if required					
Protection Class	Class II					
Degree of protection(IP)	IP44					
Material	Trim	Aluminum				
	Heat-sink	Aluminum				
	Diffuser	PMMA				
Color	White / Black / Silver / Brushed Chrome					
L70	>54000Hrs					
Operation Temp.(°C)	-20~ 45°C					
Installation	Recessed					
Certificates	CE, Rohs, SAA & C-tick					
Warranty	3 Years					

Packing information

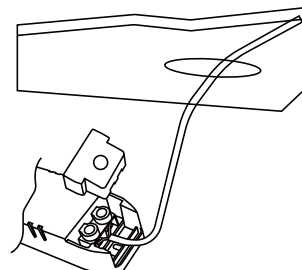
Model Number	Weight/Luminaire (kg)	QTY/BOX (pcs)	Inner Box Size (mm)	Weight/Box (kg)	QTY/CTN (pcs)	Carton Size (cm)	Weight/CTN (kg)	QTY/20GP (PCS)	QTY/40GP (PCS)	QTY/40HQ (PCS)
AU12-DL10W	0.36	1	115*115*105	0.38	36	48*36*33	14.3	19152	39312	43560
AU12-DL12W	0.36	1	115*115*105	0.38	36	48*36*33	14.3	19152	39312	43560
AU12-DL10W-W	0.39	1	130*130*100	0.41	24	42*42*28	10.5	13704	28224	32256
AU12-DL12W-W	0.39	1	130*130*100	0.41	24	42*42*28	10.5	13704	28224	32256
AU12-DL10W-S	0.45	1	115*115*105	0.47	36	48*36*33	17.5	19152	39312	43560
AU12-DL12W-S	0.45	1	115*115*105	0.47	36	48*36*33	17.5	19152	39312	43560

Installation Instructions

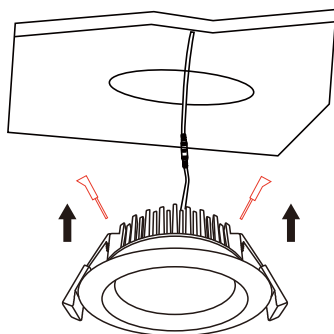
1. Open a hole according to the cutout size of led downlight.



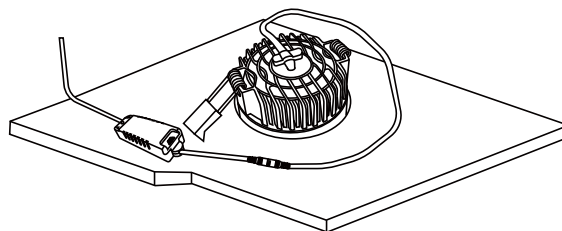
2. Use screw-driver to open the driver terminal cover, feed the main AC wire L. N. in terminal block respectively, then fix the cover back.



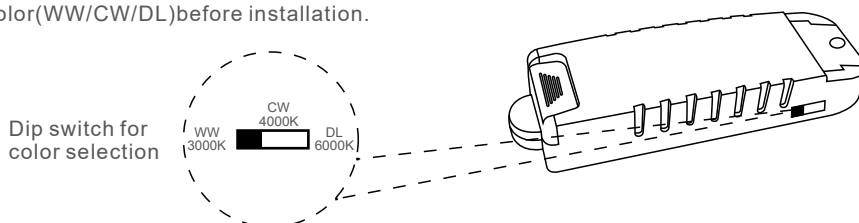
3. Connect the downlight with driver, hold back the spring clip then push the downlight into the hole.



4. Make sure the downlight fixed tightly in ceiling, turn on the power.



* For the product with 3-color Selection, please select the light color(WW/CW/DL) before installation.



Please Note:

- * Turn off and isolate the electrical supply before connecting this fitting to the building wires.
- * Must be installed, or connected by licenced electrician.
- * The Luminaires are intended for indoor use only.

Applications:

- Hospitality applications
- Residential applications
- Office Buildings
- Hotels
- Shopping Malls
- Supermarkets