

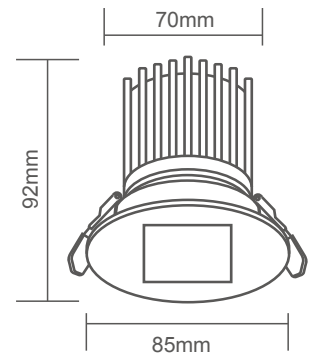
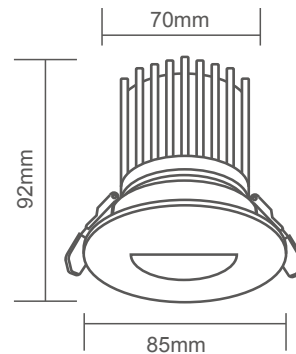
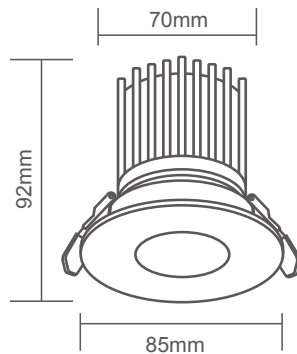
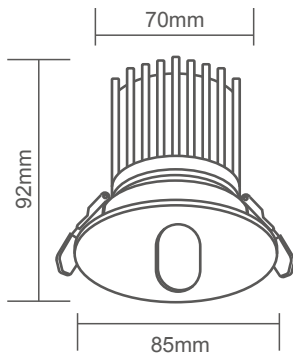
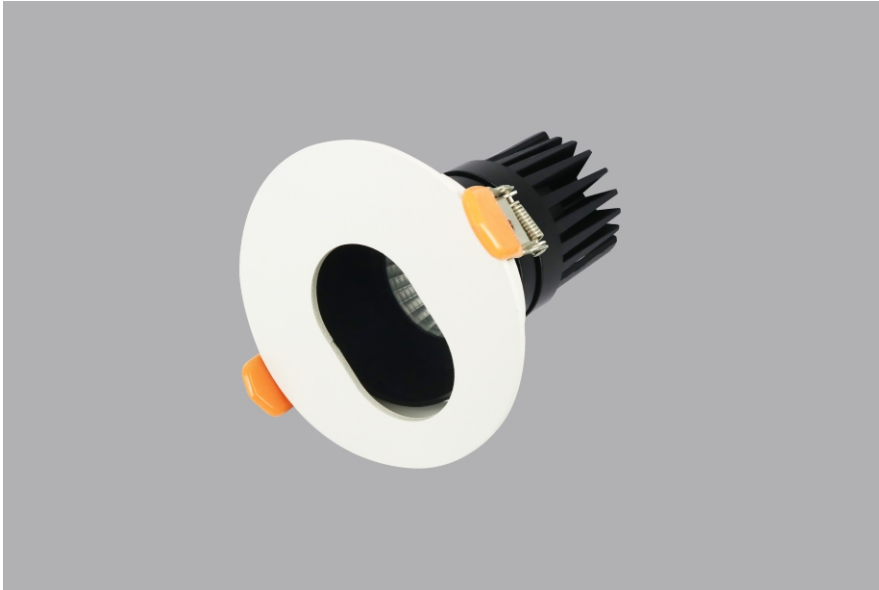


A-UNIQUE

ASIA UNIQUE LED LIGHTING CO., LTD

Pinhole LED Downlight

AU05-DL
Series





General Features:

- Deep set lamp position for maximum visual comfort;
- Advanced die-casting Aluminum heat sink;
- Very narrow light beam 24°/38°;
- Pinhole | Elipse | Square | Semi-circular shape, can be angled or aimed;
- The gimble action directs the full spectrum light in your desired direction
- Dimmable , Support most European and Australian dimmers
- Flicker free led driver, 90Ra led chip and 3-CCT are available if required
- SAA, C-tick, CE and RoHS approved
- 3 years warranty

Technical Specifications

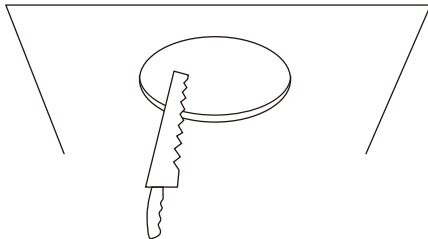
Model No.	AU05-DL7WXX		AU05-DL10WXX	
Dimension(mm)	Ø85*H92		Ø85*H92	
Cutout(mm)	70		70	
Wattage(w)	7W		10W	
Input Voltage(v)	AC220~240V			
Light Source	COB			
SDCM	<6			
CCT(K)	1 CCT	2700K/3000K/4000K/5000K/600K/6500K		
	3 CCT	3000K-4000K-6000K or as per request		
Luminous Flux (lm)±5%	310-390lm		450-550lm	
CRI	>80Ra or >90Ra			
Beam Angle(°)	24°/38°			
Dimming option	Yes			
IC Rating	IC-4 Rated			
Protection Class	Class III			
Degree of protection(IP)	IP20			
Material	Trim	Aluminum		
	Heat-sink	Aluminum		
	Diffuser	PMMA		
Color	White / Black / Silver			
L70	54000hrs			
Operation Temp.(°C)	-20~ 45°C			
Installation	Recessed			
Certificates	CE, Rohs, SAA & C-tick			
Warranty	3 Years			

Packing information

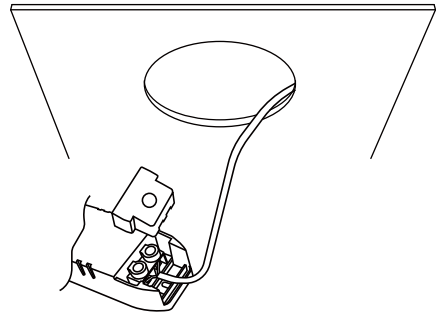
Model Number	Weight/Luminaire (kg)	QTY/BOX (pcs)	Inner Box Size (mm)	Weight/Box (kg)	QTY/CTN (pcs)	Carton Size (cm)	Weight/CTN (kg)	QTY/20GP (PCS)	QTY/40GP (PCS)	QTY/40HQ (PCS)
AU05-DL7WXX	0.35	1	115*115*105	0.41	36	48*36*33	15.5	19296	38700	44460
AU05-DL10WXX	0.35	1	115*115*105	0.41	36	48*36*33	15.5	19296	38700	44460

Installation Instructions

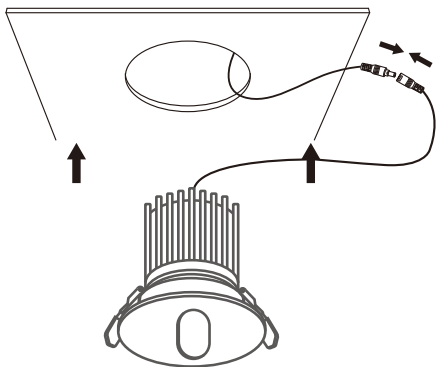
1. Open a hole on the ceiling according to the cutout size of led downlight



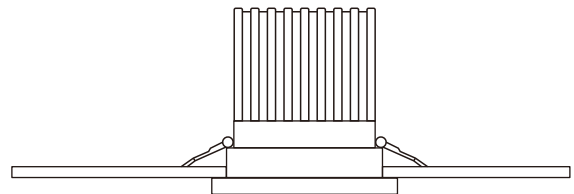
2. Use a screwdriver to open the driver terminal cover, feed the main AC wire L. N. in terminal block respectively, then fix the cover back.



3. Connect the downlight with driver, hold back the spring clip then push the downlight into the hole.

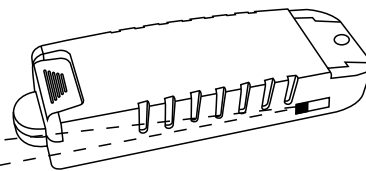
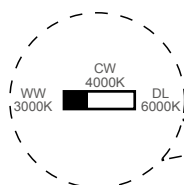


4. Make sure the downlight fixed tightly in ceiling, turn on the power.



* For the product with 3-color Selection, please select the light color(WW/CW/DL)before installation.

Dip switch for color selection



Please Note:

- * Turn off and isolate the electrical supply before connecting this fitting to the building wires.
- * Must be installed, or connected by licenced electrician.
- * The Luminaires are intended for indoor use only.

Applications:

- Hospitality applications
- Residential applications
- Office Buildings
- Hotels
- Shopping Malls
- Supermarkets