

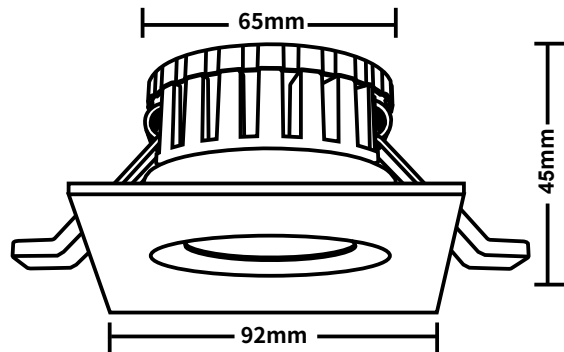
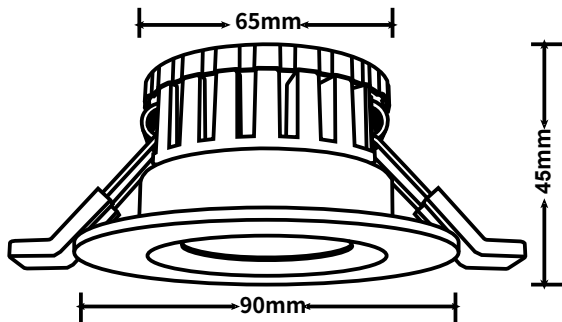
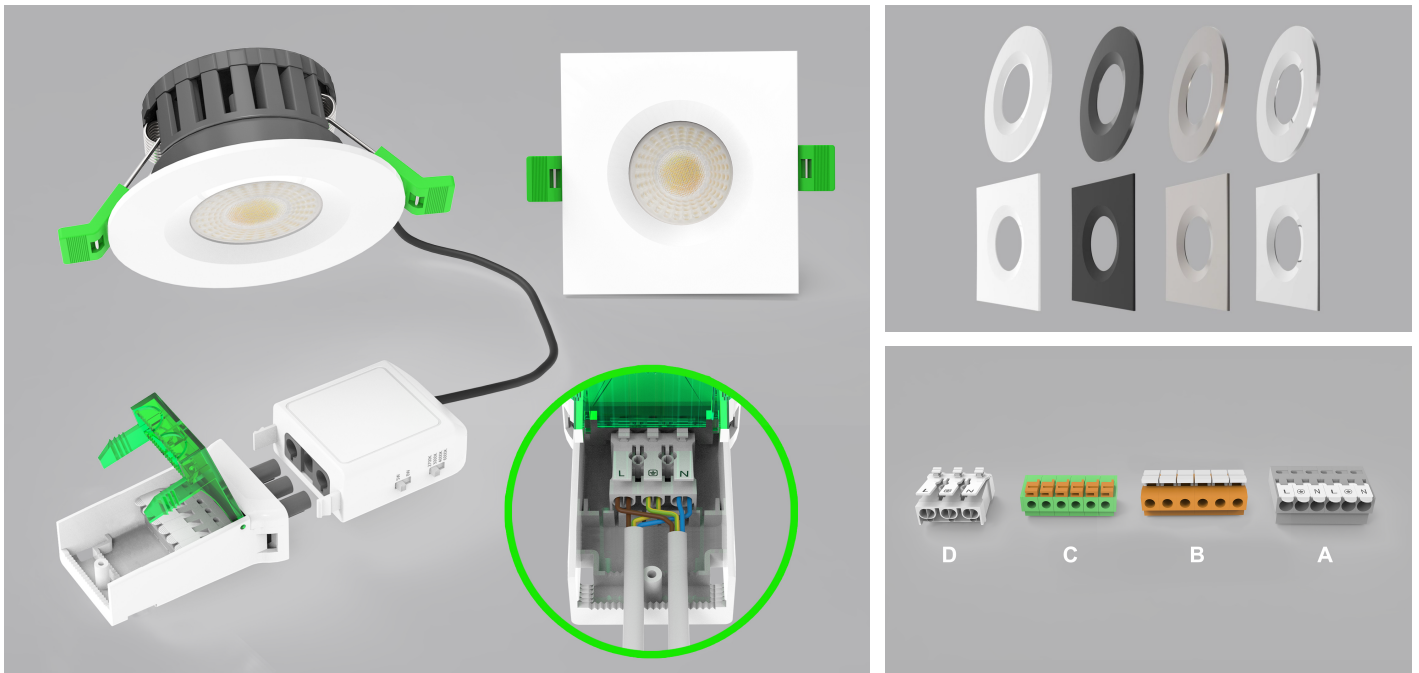


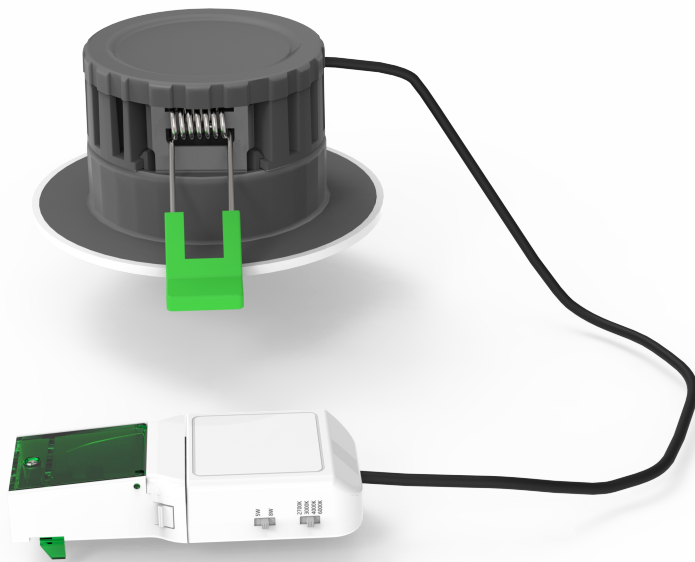
A-UNIQUE

ASIA UNIQUE LED LIGHTING CO., LTD

Fire Rated LED Downlight 2 Power + 4 CCT

Versatile III Series





General Features:

- Dual wattage control: 5W / 8W selectable
- 4CCT: 2700K 3000K 4000K 6000K selectable via switch
- Interchangeable bezel: Round or Square, Can be white / black polished silver /brushed chrome
- Flicker Free Driver: For better visual comfort
- Triac Dimmable,Compatible to most branded dimmers, and C-bus2 system
- Fire Rated: 90mins - BS476-21 (For Europe)
- IP65 Rated for front portion
- CE and RoHS approved, Complies with new ERP regulation
- 3 years warranty

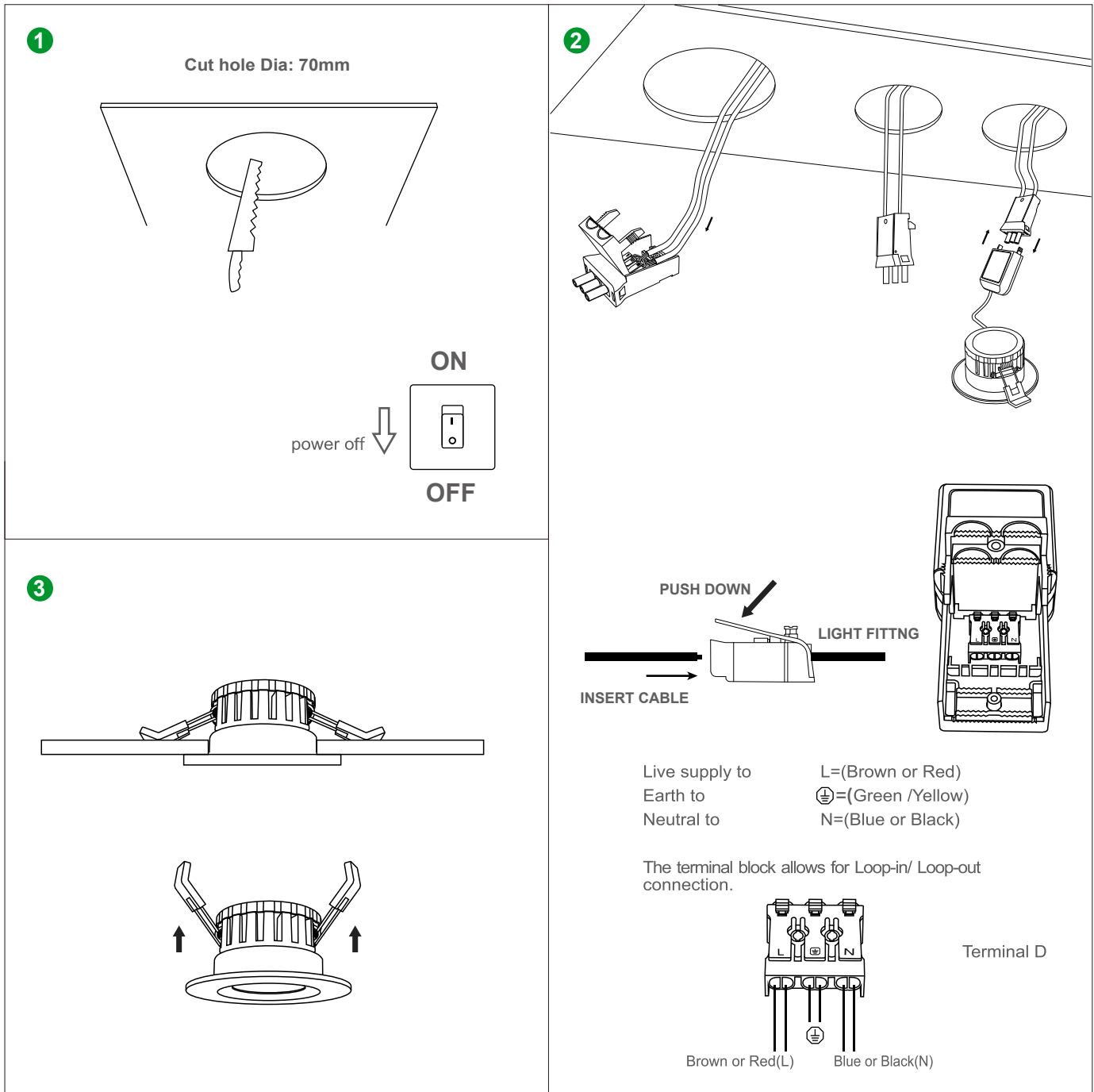
Technical Specifications

Model No.	AU35-DL0508-4C	
Dimension(mm)	Ø90*H45	
Cutout(mm)	65	
Wattage(w)	5W/8W selectable	
Input Voltage(v)	AC200~240V	
Light Source	SMD2835	
SDCM	<6	
4 CCT(K)	2700K- 3000K-4000K-6000K Switchable	
Luminous Flux (lm)±5%	5W (475-550lm) 8W (640-760lm)	
CRI	>80Ra	
Beam Angle(°)	60°	
Driver option	Triac Dimming, flicker free	
Fire Rated	Yes	
Protection Class	Class I	
Degree of protection(IP)	IP65 -front , IP20 - whole lamp	
Material	Housing	Aluminum + Iron
	Diffuser	PC
Color	Bezel	white / black / silver / brushed chrome
	Housing	White/Black
L70	>54000Hrs	
Operation Temp.(°C)	-20~ 45°C	
Installation	Recessed Mount	
Certificates	CE, Rohs, SAA & C-tick	
Warranty	3 Years	

Packing information

Model Number	Weight/Luminaire (kg)	QTY/BOX (pcs)	Inner Box Size (mm)	Weight/Box (kg)	QTY/CTN (pcs)	Carton Size (cm)	Weight/CTN (kg)	QTY/20GP (PCS)	QTY/40GP (PCS)	QTY/40HQ (PCS)
AU35-DL0508-4C	0.23	1	100*100*85	0.28	48	41*31.5*36	14.50	29184	58752	67104

Installation Instructions



Please Note :

- * Turn off and isolate the electrical supply before connecting this fitting to the building wires.
- * Must be installed, or connected by licenced electrician.
- * The Luminaires are intended for indoor use only.

Applications:

- Hospitality applications
- Residential applications
- Office Buildings
- Hotels
- Shopping Malls
- Supermarkets