

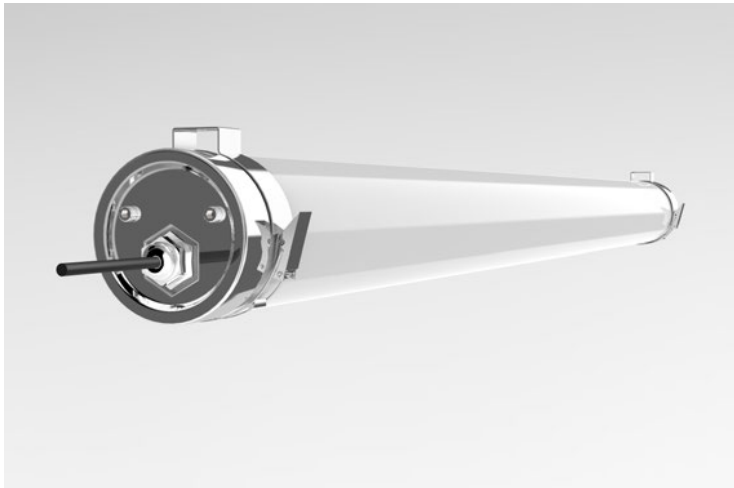


A-UNIQUE

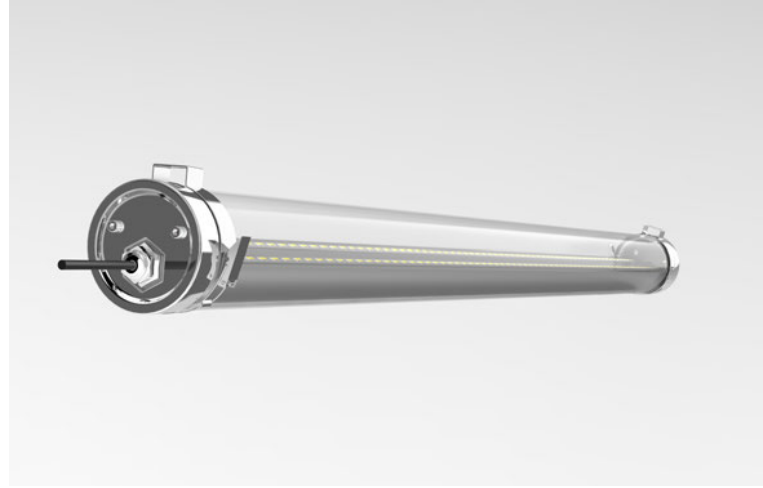
ASIA UNIQUE LED LIGHTING CO., LTD

HERO LED Tri-Proof Light

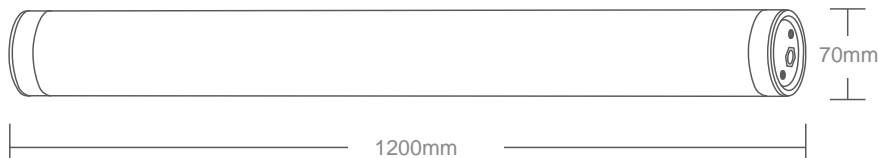
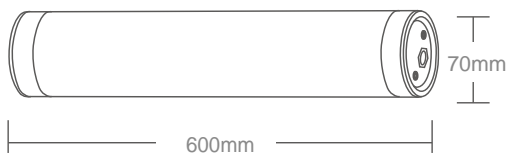
HERO



Frosted Diffuser



Clear Diffuser



General Features:



- IP67 IP69K - Waterproof, Dustproof, Moisture-proof and Vapour proof Brilliant breather design to keep moisture out
- High lumen efficiency **120-185LM/W optional**
- Clear and Frosted diffuser available
- PC and PMMA diffuser available (PC-IK10 , PMMA-Anti-Ammonia)
- Aluminum heat sink inside, better for heat dissipation
- Can be Surface Mounted or Suspended
- Can be linked one to another
- TUV-CE, TUV-CB , RoHS, SAA & C-tick approved
- Sensor & Emergency versions available
- Flicker free, **Meets NEW Erp regulation**
- Triac Dimming, 1-10V Dimming & Dali Dimming available

Technical Specifications

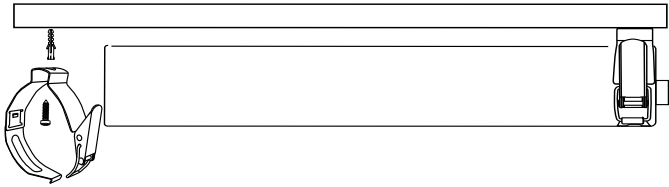
Model No.	AU03-TRIP18W2F	AU03-TRIP20W2F	AU03-TRIP30W4F	AU03-TRIP36W4F	AU03-TRIP36W5F	AU03-TRIP50W5F
Dimension(mm)	600*70	600*70	1200*70	1200*70	1500*70	1500*70
Cutout(mm)	/	/	/	/	/	/
Wattage(w)	18W	20W	30W	36W	36W	50W
Input Voltage(v)	AC200~240V					
Light Source	SMD2835					
SDCM	<6					
CCT(K)	2700K/3000K/4000K/5000K/5700K/6500K					
CRI	>80					
Frosted:Lumen (lm)±5%	2052-2268	2280-2520	3420-3780	4104-4536	4104-4536	5700-6300
Clear : Lumen(lm)±5%	2308-2551	2565-2835	3847-4252	4167-5103	4167-5103	6412-7087
Beam Angle(°)	120°					
Dimming option	Dali Dimming available as per request					
Sensor option	Available as per request					
Emergency Kits	Available as per request					
Protection Class	Class I					
Degree of protection(IP)	IP67 IP69K					
Impact Resistance(IK)	(PC diffuser--IK10 PMMA diffuser--IK05)					
Material	End cover	Stainless steel 316				
	Heatsink	Aluminum				
	Diffuser	PC or PMMA				
L70	>54000Hrs					
Glow Wire Test(°C)	650°C					
Operation Temp.(°C)	-20~ 45°C					
Installation	Surface Mounted / Suspended					
Certificates	TUV-CE, TUV-CB Rohs, SAA & C-tick, Meets NEW Erp regulation					
Warranty	3 Years					

Packing information

Model Number	Weight/Luminaire (kg)	QTY/BOX (pcs)	Inner Box Size (mm)	Weight/Box (kg)	QTY/CTN (pcs)	Carton Size (cm)	Weight/CTN (kg)	QTY/20GP (PCS)	QTY/40GP (PCS)	QTY/40HP (PCS)
AU03-TRIP18W2F	1.00	1	660*80*80	1.15	6	78*26.5*18	8.0	5100	10470	11790
AU03-TRIP20W2F	1.00	1	660*80*80	1.15	6	78*26.5*18	8.0	5100	10470	11790
AU03-TRIP30W4F	1.75	1	1260*80*80	1.95	6	138*26.5*18	12.5	2802	5736	6516
AU03-TRIP36W4F	1.75	1	1260*80*80	1.95	6	138*26.5*18	12.5	2802	5736	6516
AU03-TRIP36W5F	2.05	1	1560*80*80	2.30	6	168*26.5*18	15.5	2316	4782	5436
AU03-TRIP50W5F	2.05	1	1560*80*80	2.30	6	168*26.5*18	15.5	2316	4782	5436

Installation Instructions

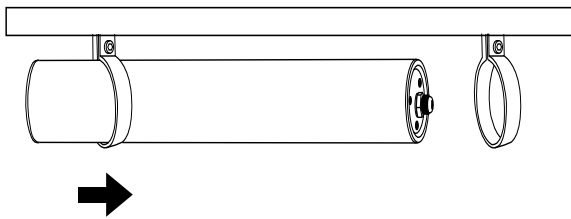
Method A: Surface



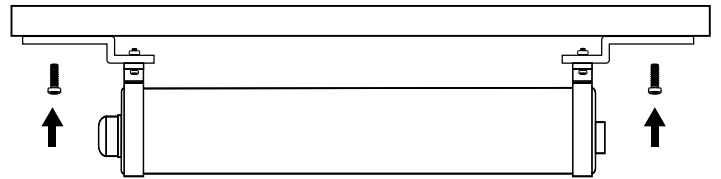
Method B: Suspended



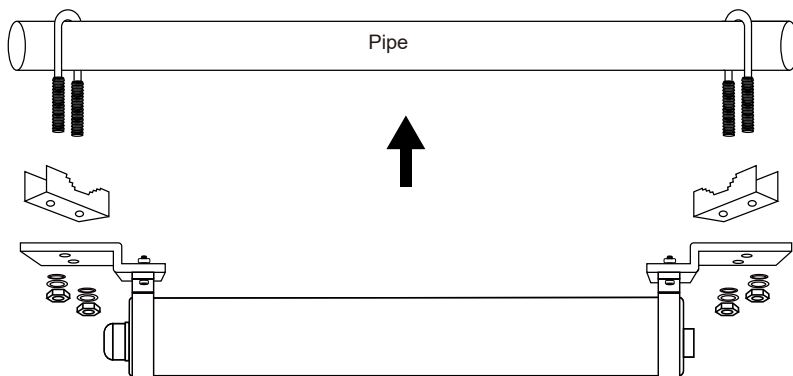
Method C: Surface



Method D: Surface

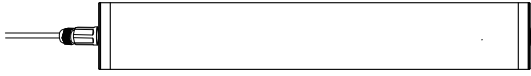


Method E: Suspended

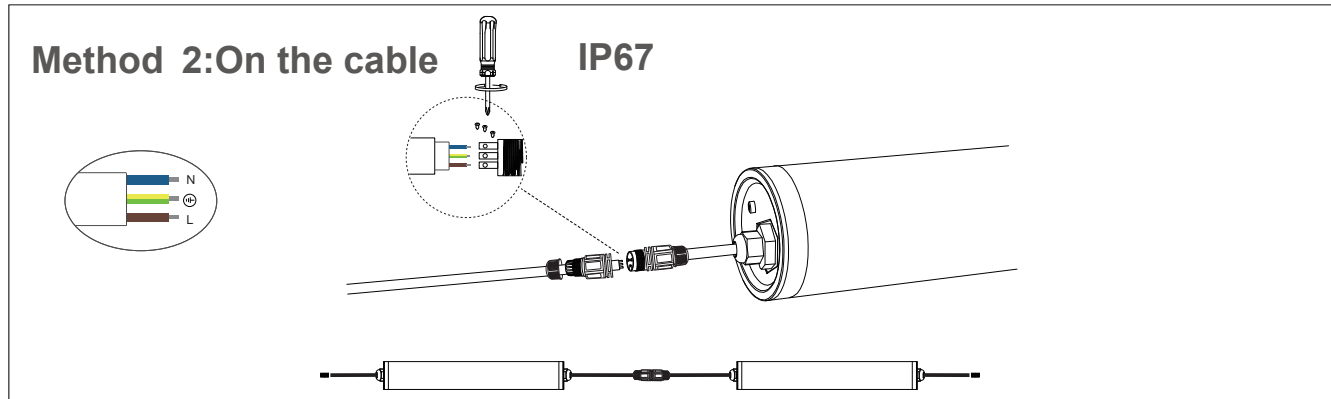
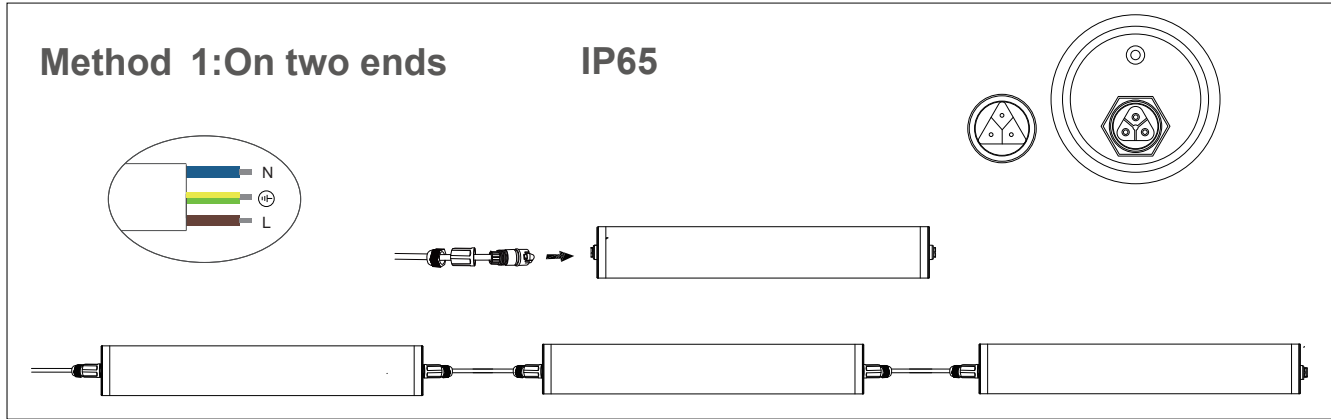


Connection Type

1. Single Connection



2. Series Connection



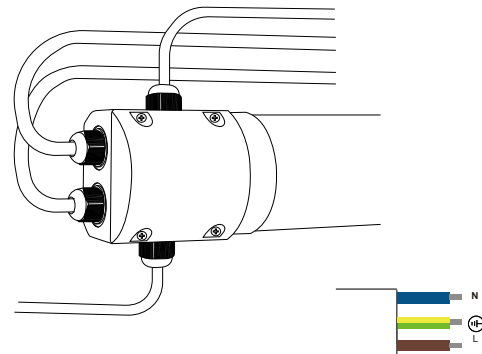
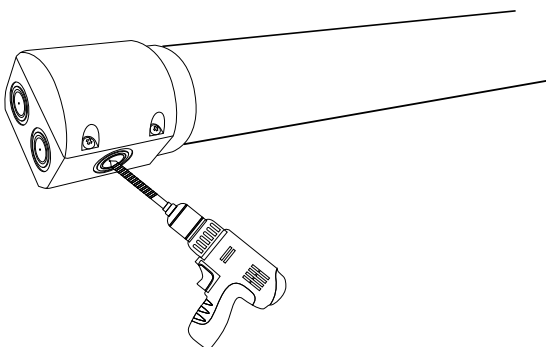
The max qty of the light you can connect

Input Voltage	Length (mm)	Max Qty (pcs)
240VAC/20W	600	24
240VAC/40W	1200	12
240VAC/50W	1500	10

Cable standard

Dimension : 6mm<C<10mm
 3*1.0mm² or 3*1.5mm²
 UL / VDE Standard waterproof outdoor cable

3. Junction Box Connection

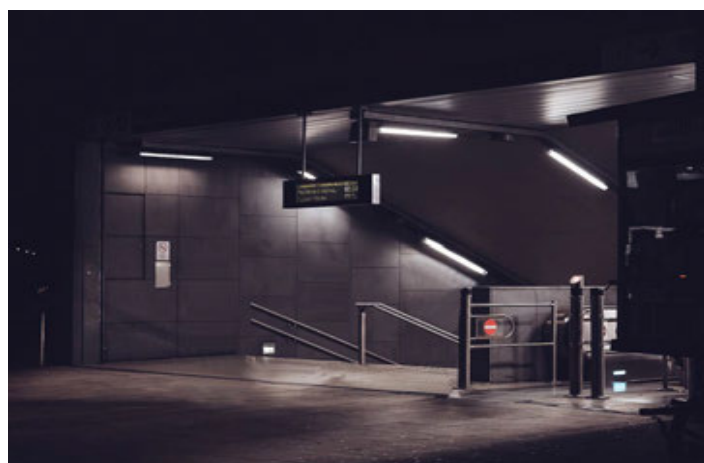
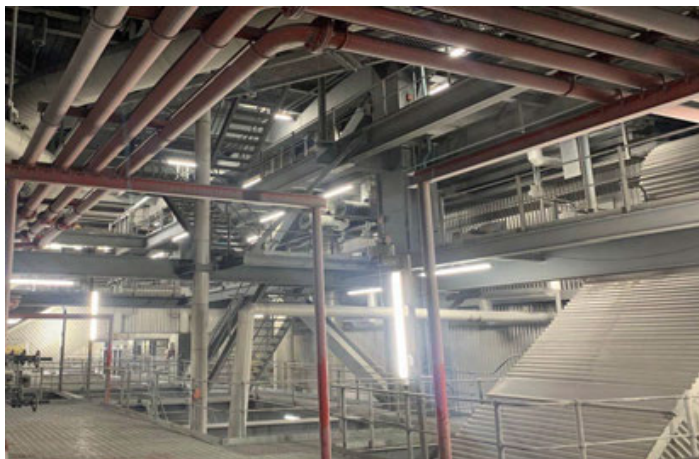


Application

PC Diffuser--IK10

Application:

Coal plant, Power station, Refrigeration rooms, Train stations, Airports, Warehouses, Parking areas, Bus stations, Pools, Tunnels, Overpass...



PMMA Diffuser--IK05, Anti-Ammonia

Application:

Winery, Food processing plants, Livestock & Poultry Farms (broiler farm, cattle farm, horse barns..), Agricultural sites (Mushroom Plant, ...)

