

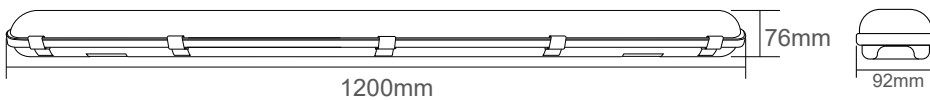
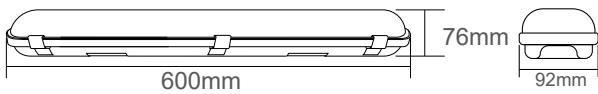
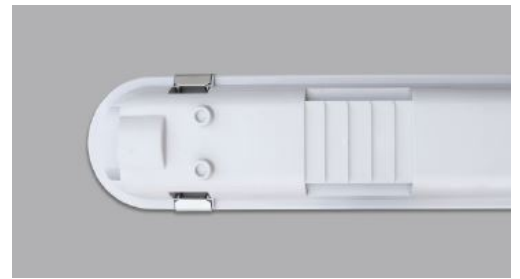
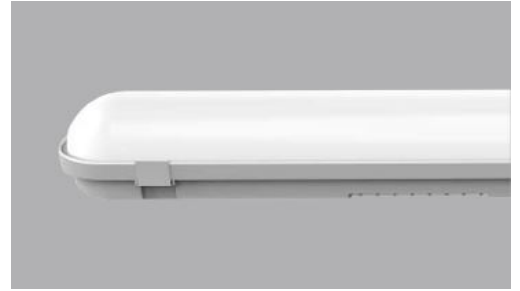
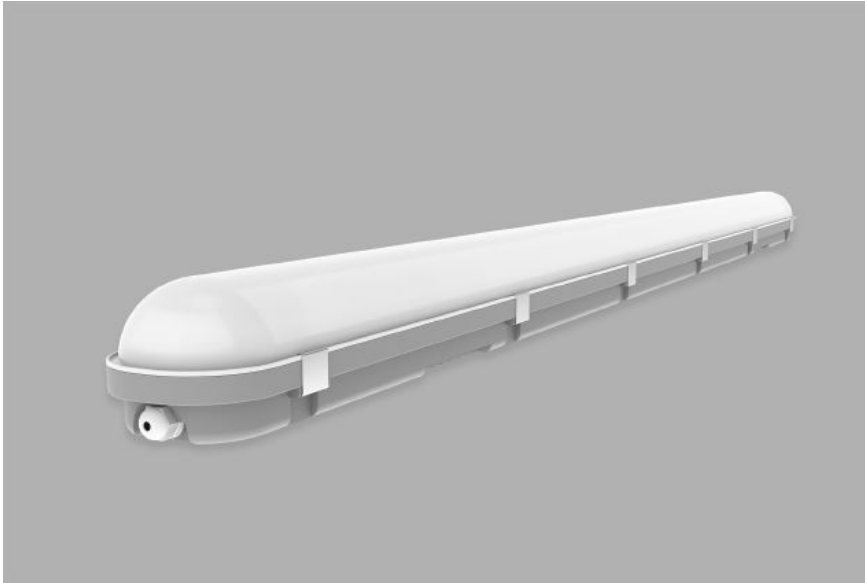


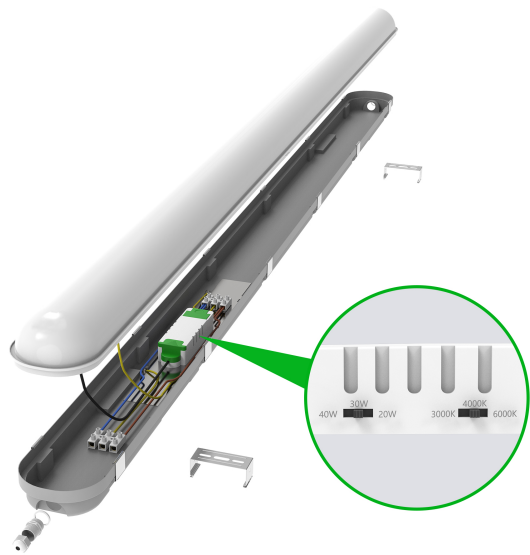
A-UNIQUE

# ASIA UNIQUE LED LIGHTING CO., LTD

## STORM AU01 LED Tri-Proof Light-Tri-Watt

## STORM Series





CCT & wattage switches on the driver

## General Features:

- Tri-wattage selectable by dip switch before installation
- Tri-color selectable by dip switch available
- IP65 - Waterproof, Dustproof, Moisture-proof
- High Lumen Efficiency 150ML/W Max
- Flicker free driver
- Full PCB board and the diffuser is a whole part, no need to take the PCB apart but wire directly, much easier than the normal design
- Cables can be from the back or the two ends of the light, easy wiring
- Easy clips, one step assembly
- With Safety cables, free your hands during the installation
- Can be Surface Mount or Suspension Mount
- Can be linked from one to another
- CE, RoHS, SAA & C-tick approved
- Sensor & Emergency versions available
- Triac Dimming, 0-10V Dimming & Dali Dimming available

## Technical Specifications

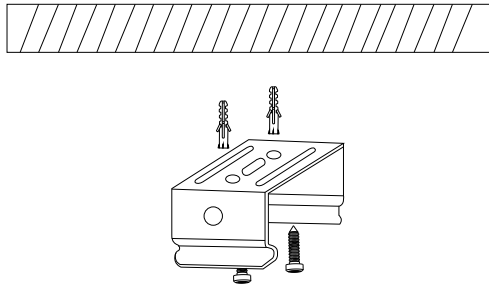
| Model No.                | AU01-TRIP101520W2FXX   | AU01-TRIP243036W4FXX | AU01-TRIP243036W5FXX |
|--------------------------|--|----------------------|----------------------|
| Dimension(mm)            | 600*92*76  | 1200*92*76           | 1500*92*76           |
| Cutout(mm)               | /  | /                    | /                    |
| Wattage(w)               | 10W-15W-20W  | 24W-30W-36W          | 24W-30W-36W          |
| Input Voltage(v)         | AC200~240V   |                      |                      |
| Light Source             | SMD2835  |                      |                      |
| SDCM                     | <6   |                      |                      |
| CCT(K)                   | 2700K/3000K/4000K/5000K/5700K/6500K<br>3000K-4000K-5000K or 3000K-4000K-5700K or 4000K-5000K-5700K |                      |                      |
| CRI                      | >80  |                      |                      |
| Lumen (lm)±5%            | 1200-2800  | 2880-5040            | 2880-5040            |
| Flicker free             | Available  |                      |                      |
| Beam Angle(°)            | 120°   |                      |                      |
| Dimming option           | Non-dimmable, Flicker Free   |                      |                      |
| Sensor option            | Available  |                      |                      |
| Emergency Kits           | Available  |                      |                      |
| Protection Class         | Class I  |                      |                      |
| Degree of protection(IP) | IP65   |                      |                      |
| Impact Resistance(IK)    | IK08   |                      |                      |
| Material                 | Brackets   | Stainless steel      |                      |
|                          | Heatsink   | Aluminum             |                      |
|                          | Diffuser   | PC                   |                      |
| L70                      | 54000Hrs   |                      |                      |
| Glow Wire Test(°C)       | 650°C  |                      |                      |
| Operation Temp.(°C)      | -20~ 45°C  |                      |                      |
| Installation             | Surface Mount / Suspension Mount   |                      |                      |
| Certificates             | CE, Rohs, SAA & C-tick   |                      |                      |
| Warranty                 | 3 Years  |                      |                      |

## Packing information

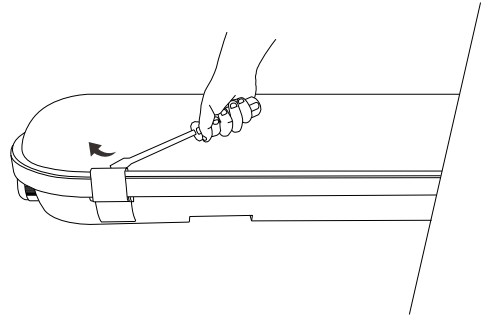
| Model Number         | Weight/Luminaire (kg) | QTY/BOX (pcs) | Inner Box Size (mm) | Weight/Box (kg) | QTY/CTN (pcs) | Carton Size (cm) | Weight/CTN (kg) | QTY/20GP (PCS) | QTY/40GP (PCS) | QTY/40HP (PCS) |
|----------------------|-----------------------|---------------|---------------------|-----------------|---------------|------------------|-----------------|----------------|----------------|----------------|
| AU01-TRIP101520W2FXX | 1.20                  | 1             | 660*100*90          | 1.40            | 9             | 68*32*29         | 12              | 4437           | 9144           | 10287          |
| AU01-TRIP243036W4FXX | 2.00                  | 1             | 1260*100*90         | 2.25            | 9             | 128*32*29        | 20              | 2232           | 4689           | 5364           |
| AU01-TRIP243036W5FXX | 2.20                  | 1             | 1560*100*90         | 2.50            | 9             | 158*32*29        | 21.5            | 1800           | 3789           | 4311           |

# Installation Instructions

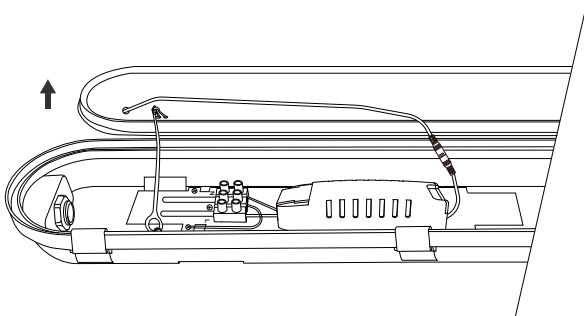
1. Drill holes and insert plastic dowel into the holes, fix the mounting bracket with provided screws.



2. Open the clips with screw driver.

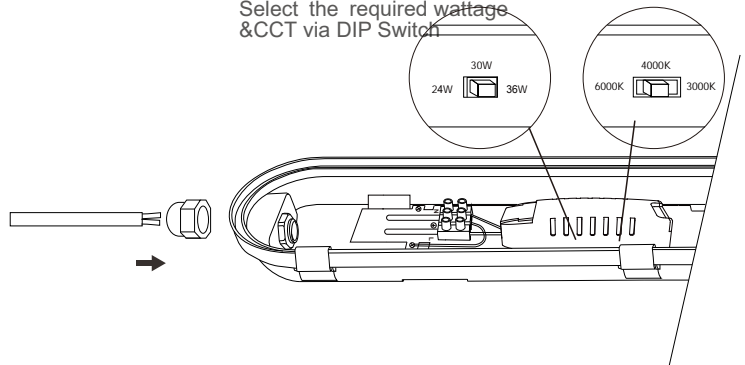


3. Remove the cover from the housing base

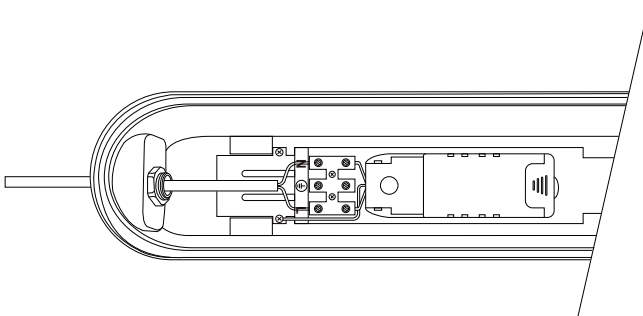


4. Loosen the cable gland and insert the power cable through the cable gland.

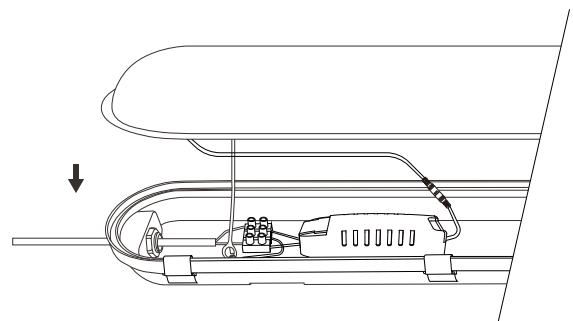
Select the required wattage & CCT via DIP Switch



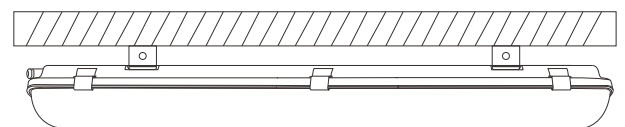
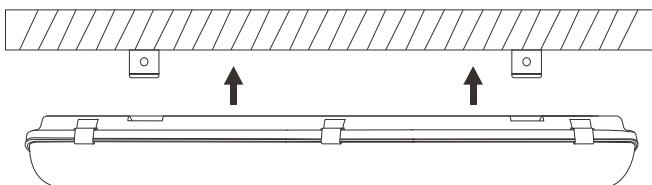
5. Connect the power cable to the driver and tighten the cable gland.



6. Reattach the cover and fasten the clips



7. Mount the fixture on the ceiling / wall



## Please Note:

- \*Product must be installed by licensed electrician.
- \*Disconnect or turn off the power before installation.
- \*Verify the supply Voltage is the same as rated luminaire voltage.

### Packing List (each inner box)

|                 |      |
|-----------------|------|
| Tri-proof light | 1pcs |
| Screw           | 4pcs |
| Brackets        | 2pcs |

## Applications:

- Parking lots
- Warehouses
- Factories
- Tunnels
- basements
- Lofts
- balcony
- Car washing station

## Installation caution

- Product must be installed by licensed electrician.
- Disconnect or turn off the power before installation.
- Verify the supply Voltage is the same as rated luminaire voltage.

## Application:

