

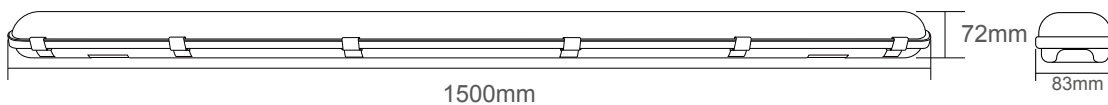
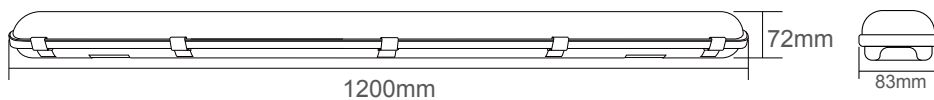


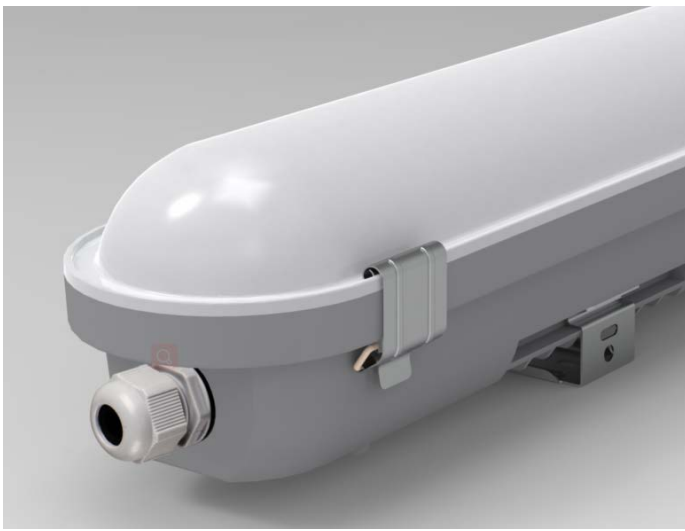
A-UNIQUE

ASIA UNIQUE LED LIGHTING CO., LTD

STORM-AU04 LED Tri-Proof Light

AU04-Tri-Proof Series





General Features:

- IP65 - Waterproof, Dustproof, Moisture-proof
- High lumen efficiency-130LM/W
- Flicker free driver optional
- Full PCB board and the diffuser is a whole part, no need to take the PCB apart but wire directly, much easier than the normal design
- Cables can be from the back or the two ends of the light, easy wiring
- Easy end clips, one step assembly
- With Safety cables, free your hands during the installation
- Can be Surface Mounted or Suspended
- Can be linked one to another
- CE, RoHS, SAA & C-tick approved
- **Sensor & Emergency versions available**
- Triac Dimming, 1-10V Dimming & Dali Dimming available

Technical Specifications

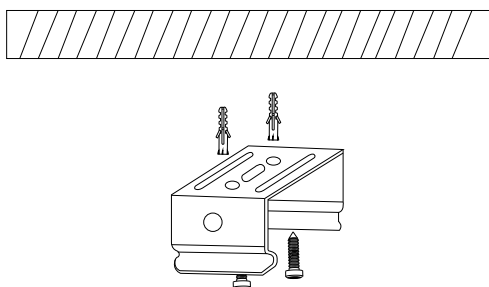
Model No.	AU04-TRIP18W2F	AU04-TRIP20W2F	AU04-TRIP36W4F	AU04-TRIP40W4F	AU04-TRIP40W5F	AU04-TRIP50W5F
Dimension(mm)	600*83*72	600*83*72	1200*83*72	1200*83*72	1500*83*72	1500*83*72
Cutout(mm)	/	/	/	/	/	/
Wattage(w)	18W	20W	36W	40W	40W	50W
Input Voltage(v)	AC200~240V					
Light Source	SMD2835					
SDCM	<6					
Single CCT(K)	2700K/3000K/4000K/5000K/5700K/6500K					
3 CCT(K)	3000K-4000K-5000K or 3000K-4000K-5700K or 4000K-5000K-5700K					
Lumen (lm)±5%	2137-2362	2375-2625	4275-4725	4750-5250	4750-5250	5937-6562
CRI	>80					
Beam Angle(°)	120°					
Dimming option	Triac Dimming, 1-10V Dimming & Dali Dimming available					
Sensor option	Available					
Emergency Kits	Available					
Protection Class	Class I					
Degree of protection(IP)	IP65					
Impact Resistance(IK)	IK08					
Material	Brackets	Stainless steel				
	Heatsink	PC				
	Diffuser	PC				
L70	>54000Hrs					
Glow Wire Test(°C)	650°C					
Operation Temp.(°C)	-20~ 45°C					
Installation	Surface Mounted / Suspended					
Certificates	CE, CB Rohs, SAA & C-tick					
Warranty	3 Years					

Packing information

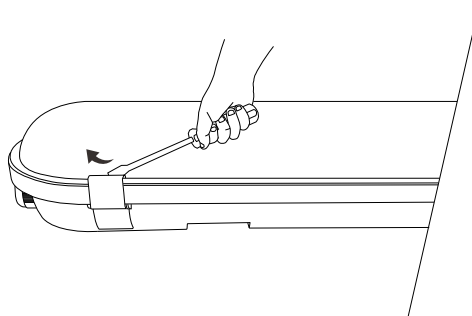
Model Number	Weight/Luminaire (kg)	QTY/BOX (pcs)	Inner Box Size (mm)	Weight/Box (kg)	QTY/CTN (pcs)	Carton Size (cm)	Weight/CTN (kg)	QTY/20GP (PCS)	QTY/40GP (PCS)	QTY/40HP (PCS)
AU04-TRIP18W2F	1.10	1	650*90*80	1.20	15	67*29*43	19	4437	9144	10287
AU04-TRIP20W2F	1.10	1	650*90*80	1.20	15	67*29*43	19	4437	9144	10287
AU04-TRIP36W4F	1.70	1	1250*90*80	1.90	9	127*29*26	18	2232	4689	5364
AU04-TRIP40W4F	1.70	1	1250*90*80	1.90	9	127*29*26	18	2232	4689	5364
AU04-TRIP40W5F	1.90	1	1550*90*80	2.15	9	157*29*26	20	1800	3789	4311
AU04-TRIP50W5F	1.90	1	1550*90*80	2.15	9	157*29*26	20	1800	3789	4311

Installation Instructions

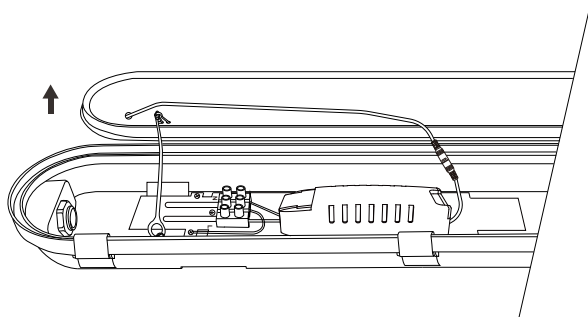
1. Drill holes and insert plastic dowel into the holes, fix the mounting bracket with provided screws.



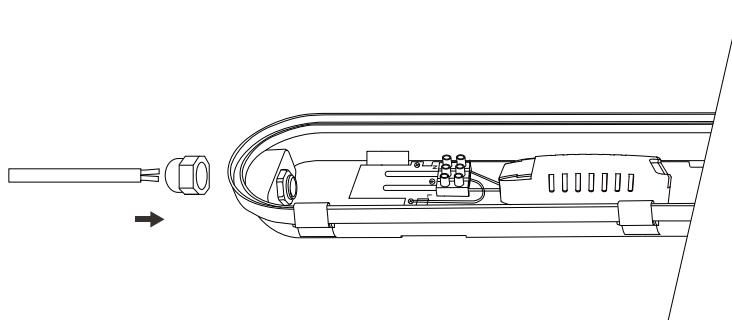
2. Open the clips with screw driver



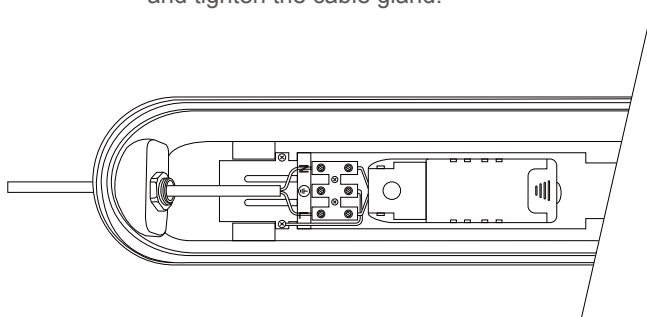
3. Remove the cover from the housing base



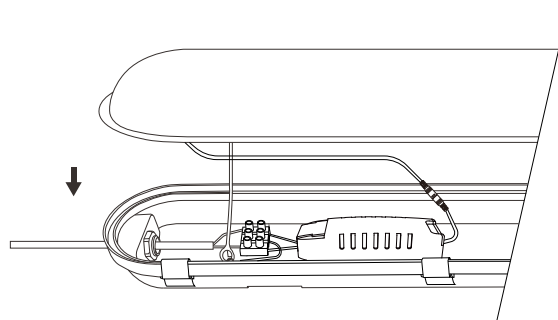
4. Loosen the cable gland and insert the power cable through the cable gland.



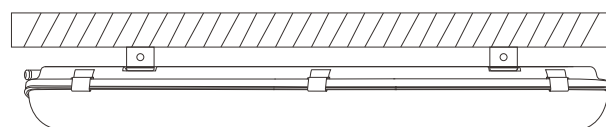
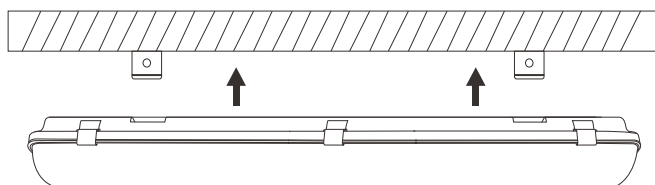
5. Connect the power cable to the driver and tighten the cable gland.



6. Reattach the cover and fasten the clip



7. Mount the fixture on the ceiling / wall



Please Note:

- *Product must be installed by licensed electrician.
- *Disconnect or turn off the power before installation.
- *Verify the supply Voltage is the same as rated luminaire voltage.

Packing List (each inner box)

Tri-proof light	1pcs
Screw	6pcs
Brackets	2pcs
Connector	1pcs
Clip used to fix the cables	1pcs

Applications:

- Parking lots
- Warehouses
- Factories
- Tunnels
- basements
- Lofts
- Balconies
- Car washing stations

Installation caution

- Product must be installed by licensed electrician.
- Disconnect or turn off the power before installation.
- Verify the supply Voltage is the same as rated luminaire voltage.

Application:

