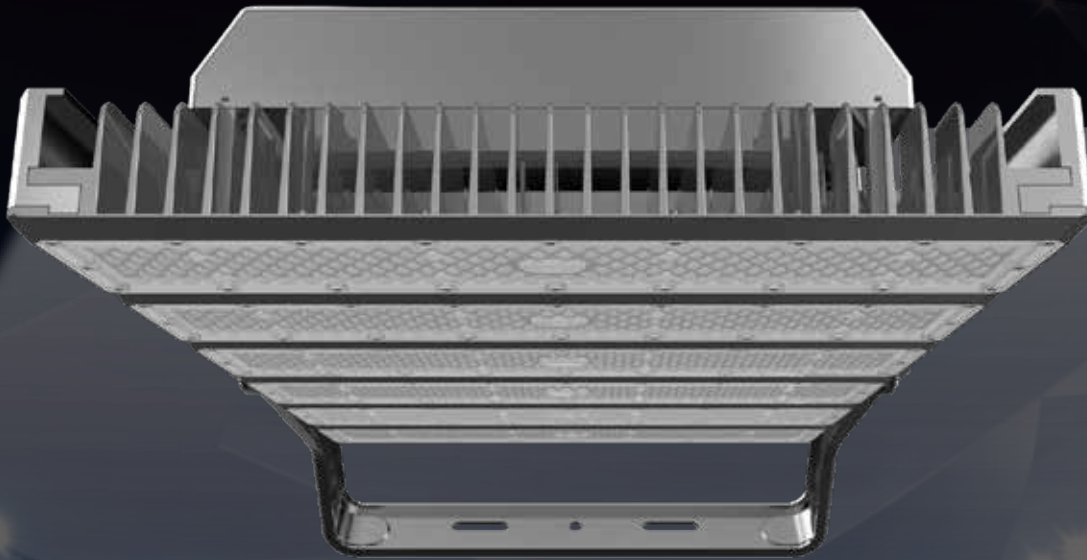




A-UNIQUE

ASIA UNIQUE LED LIGHTING CO., LTD



EAGLE VI

Sports & High Mast Light

Web.: www.ledofchina.com

Email: auniqueled@ledofchina.com

Tel.: +86-0755-27436304

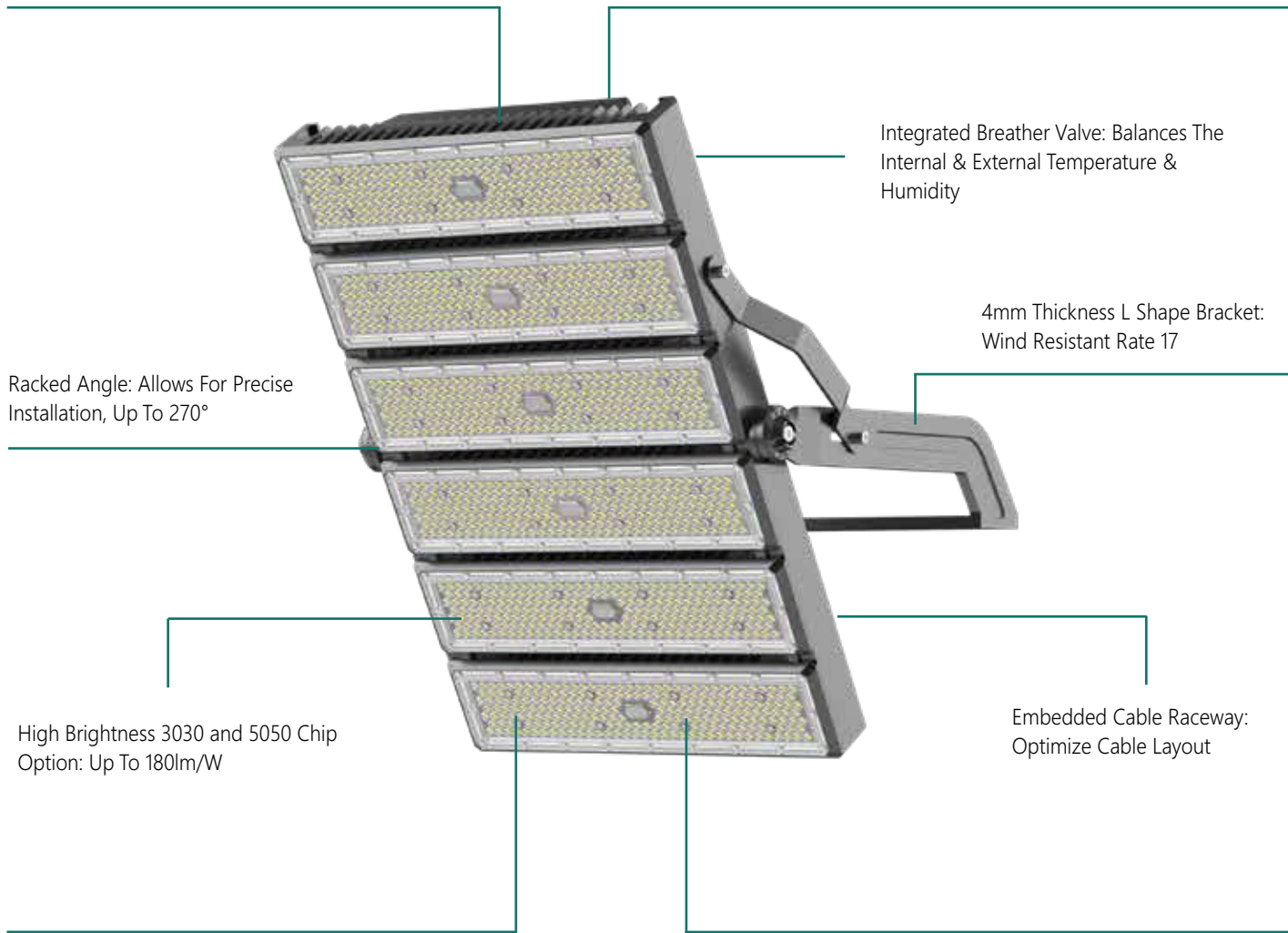
Fax: +86-0755-28435889

Address.: 6th Floor , No.2 East Area, Shangxue Ind. Park, Bantian, Longgang District, Shenzhen China

Key Features

Die Casting Heat Sink: Excellent Thermal Management & Compact Structure

Single Module 200W, Up To 8 Modules Can Be Combined Into 1600W



Integrated Breather Valve: Balances The Internal & External Temperature & Humidity

4mm Thickness L Shape Bracket: Wind Resistant Rate 17

Racked Angle: Allows For Precise Installation, Up To 270°

High Brightness 3030 and 5050 Chip Option: Up To 180lm/W

Embedded Cable Raceway: Optimize Cable Layout

High Strength Polycarbonate Lens: Realize In IK08
Tempered Glass Cover Option: To Apply In Harsh Conditions

Photometry: Symmetrical 30°/45°/60°/90°, Asymmetric 140°*80°/120°*40°*60°



Sports and High Mast Light

AU06-HM-E200W

Specifications

Optical Data

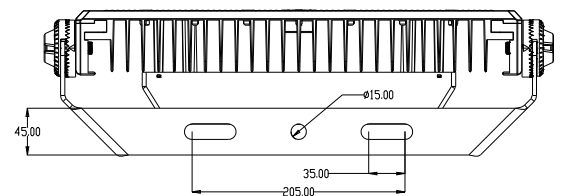
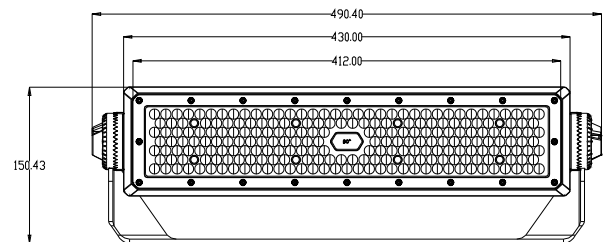
Power	200W
LED Chips	LUMILEDS / SANAN
Luminous Efficacy	130lm/W
Luminous Flux	Refer to IES
CCT	3000K~6500K
Beam Angle	30° / 45° / 60° / 90° 80*140° / 120*40° *60°
CRI (Ra)	70+/80+

Electrical Data

Driver	Meanwell/Sosen
Input Voltage	AC100~277V
Power Factor	>0.95
Output Voltage	DC48V
Total Harmonic Distortion	< 15%
Driver Efficiency	92%

Others

IP Rating	IP66
Lifespan	60,000Hrs
Housing	Die-cast aluminum
Lens Material	Polycarbonate
Fixture Size	150*490*140mm
Carton Size	510*180*170mm
Net Weight	4.5KG
Gross Weight	5.5KG



Sports and High Mast Light

AU06-HM-E400W

Specifications

Optical Data

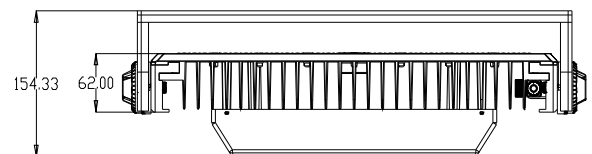
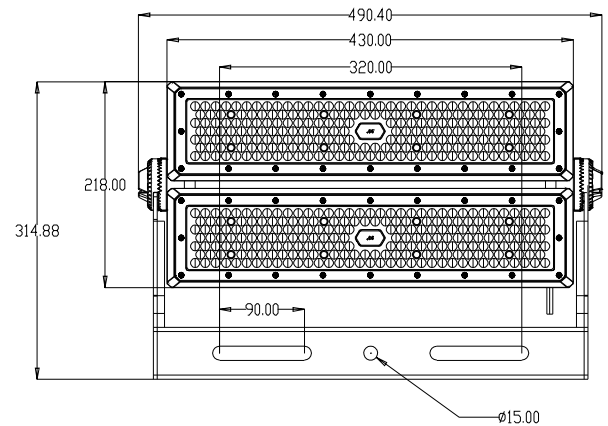
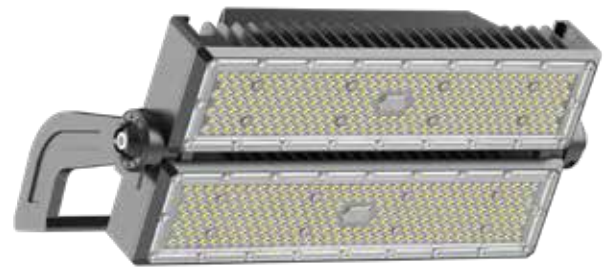
Power	400W
LED Chips	LUMILEDS / SANAN
Luminous Efficacy	130lm/W
Luminous Flux	Refer to IES
CCT	3000K~6500K
Beam Angle	30° / 45° / 60° / 90° 80*140° / 120*40° *60°
CRI (Ra)	70+/80+

Electrical Data

Driver	Meanwell/Sosen
Input Voltage	AC100~277V
Power Factor	>0.95
Output Voltage	DC48V
Total Harmonic Distortion	< 15%
Driver Efficiency	92%

Others

IP Rating	IP66
Lifespan	60,000Hrs
Housing	Die-cast aluminum
Lens Material	Polycarbonate
Fixture Size	315*490*155mm
Carton Size	510*350*180mm
Net Weight	8.5KG
Gross Weight	9.5KG



Sports and High Mast Light

AU06-HM-E600W

Specifications

Optical Data

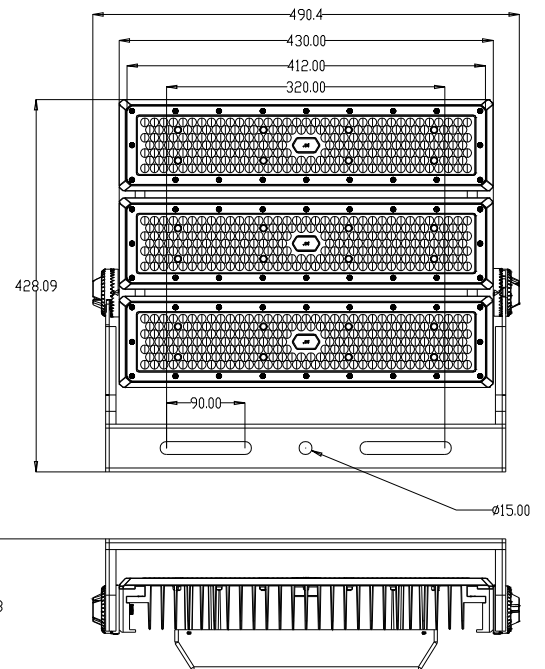
Power	600W
LED Chips	LUMILEDS / SANAN
Luminous Efficacy	130lm/W
Luminous Flux	Refer to IES
CCT	3000K~6500K
Beam Angle	30° / 45° / 60° / 90° 80*140° / 120*40° *60°
CRI (Ra)	70+/80+

Electrical Data

Driver	Meanwell/Sosen
Input Voltage	AC100~277V
Power Factor	>0.95
Output Voltage	DC48V
Total Harmonic Distortion	< 15%
Driver Efficiency	92%

Others

IP Rating	IP66
Lifespan	60,000Hrs
Housing	Die-cast aluminum
Lens Material	Polycarbonate
Fixture Size	428*490*155mm
Carton Size	510*460*180mm
Net Weight	12.5KG
Gross Weight	13.5KG



Sports and High Mast Light

AU06-HM-E800W

Specifications

Optical Data

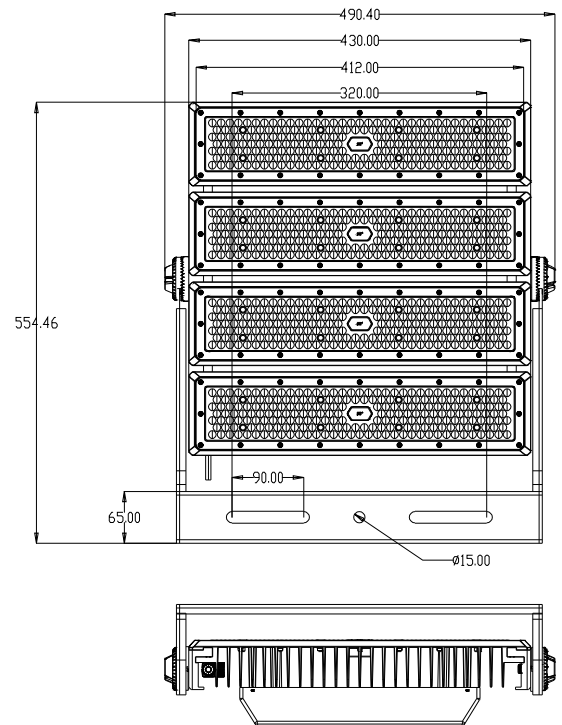
Power	800W
LED Chips	LUMILEDS / SANAN
Luminous Efficacy	130lm/W
Luminous Flux	Refer to IES
CCT	3000K~6500K
Beam Angle	30° / 45° / 60° / 90° 80*140° / 120*40° *60°
CRI (Ra)	70+/80+

Electrical Data

Driver	Meanwell/Sosen
Input Voltage	AC100~277V
Power Factor	>0.95
Output Voltage	DC48V
Total Harmonic Distortion	< 15%
Driver Efficiency	92%

Others

IP Rating	IP66
Lifespan	60,000Hrs
Housing	Die-cast aluminum
Lens Material	Polycarbonate
Fixture Size	555*490*155mm
Carton Size	510*580*180mm
Net Weight	16KG
Gross Weight	17.5KG



Sports and High Mast Light

AU06-HM-E1000W

Specifications

Optical Data

Power	1000W
LED Chips	LUMILEDS / SANAN
Luminous Efficacy	130lm/W
Luminous Flux	Refer to IES
CCT	3000K~6500K
Beam Angle	30° / 45° / 60° / 90° 80*140° / 120*40° *60°
CRI (Ra)	70+/80+



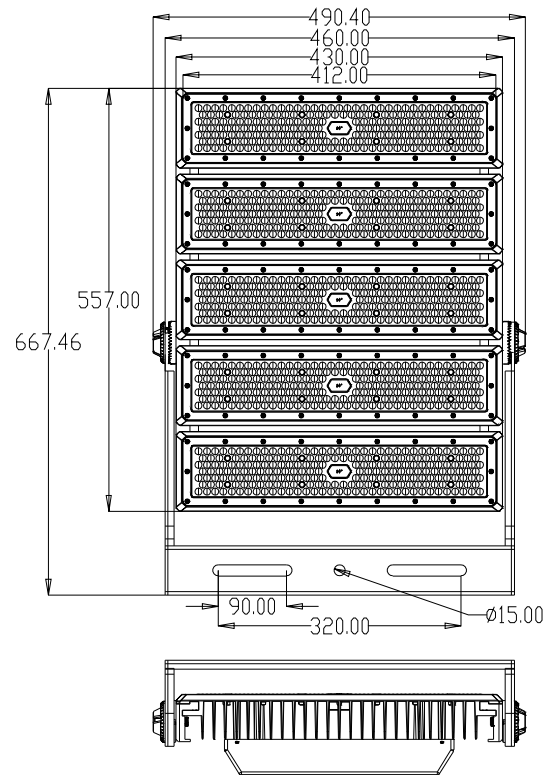
Electrical Data

Driver	Meanwell/Sosen
Input Voltage	AC100~277V
Power Factor	>0.95
Output Voltage	DC48V
Total Harmonic Distortion	< 15%
Driver Efficiency	92%



Others

IP Rating	IP66
Lifespan	60,000Hrs
Housing	Die-cast aluminum
Lens Material	Polycarbonate
Fixture Size	668*490*155mm
Carton Size	510*700*180mm
Net Weight	20.5KG
Gross Weight	22KG



Sports and High Mast Light

AU06-HM-E1200W

Specifications

Optical Data

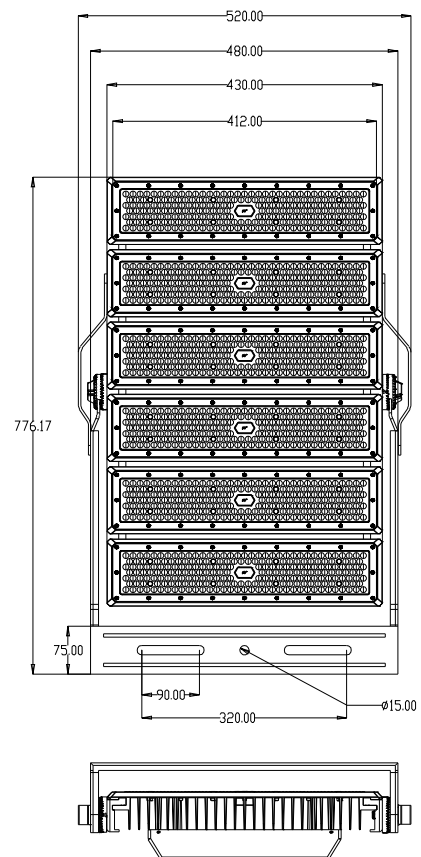
Power	1200W
LED Chips	LUMILEDS / SANAN
Luminous Efficacy	130lm/W
Luminous Flux	Refer to IES
CCT	3000K~6500K
Beam Angle	30° / 45° / 60° / 90° 80*140° / 120*40° *60°
CRI (Ra)	70+/80+

Electrical Data

Driver	Meanwell/Sosen
Input Voltage	AC100~277V
Power Factor	>0.95
Output Voltage	DC48V
Total Harmonic Distortion	< 15%
Driver Efficiency	92%

Others

IP Rating	IP66
Lifespan	60,000Hrs
Housing	Die-cast aluminum
Lens Material	Polycarbonate
Fixture Size	776*490*155mm
Carton Size	340*120*560mm
Net Weight	24.5K
Gross Weight	26KG



Sports and High Mast Light

AU06-HM-E1400W

Specifications

Optical Data

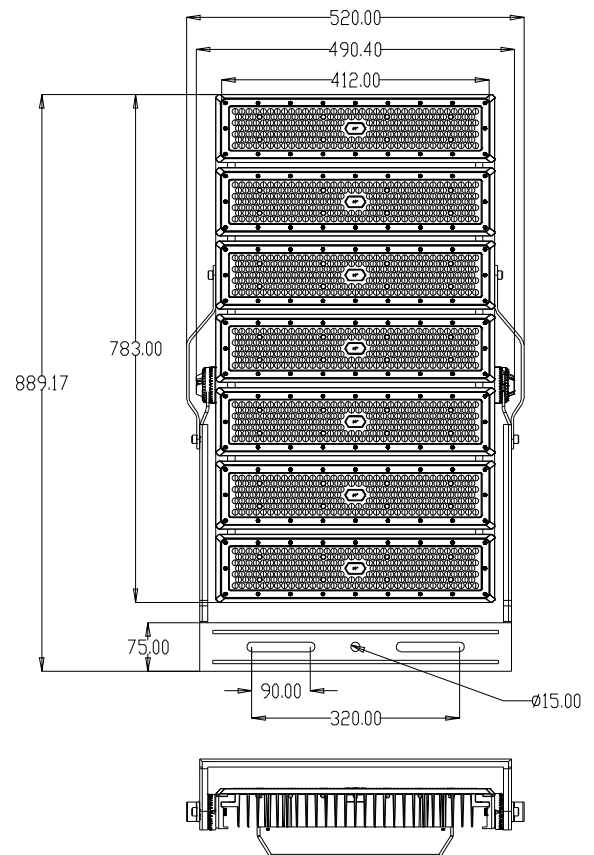
Power	1400W
LED Chips	LUMILEDS / SANAN
Luminous Efficacy	130lm/W
Luminous Flux	Refer to IES
CCT	3000K~6500K
Beam Angle	30° / 45° / 60° / 90° 80*140° / 120*40° *60°
CRI (Ra)	70+/80+

Electrical Data

Driver	Meanwell/Sosen
Input Voltage	AC100~277V
Power Factor	>0.95
Output Voltage	DC48V
Total Harmonic Distortion	< 15%
Driver Efficiency	92%

Others

IP Rating	IP66
Lifespan	60,000Hrs
Housing	Die-cast aluminum
Lens Material	Polycarbonate
Fixture Size	889*490*155mm
Carton Size	550*800*180mm
Net Weight	29KG
Gross Weight	30.5KG



Sports and High Mast Light

AU06-HM-E1600W

Specifications

Optical Data

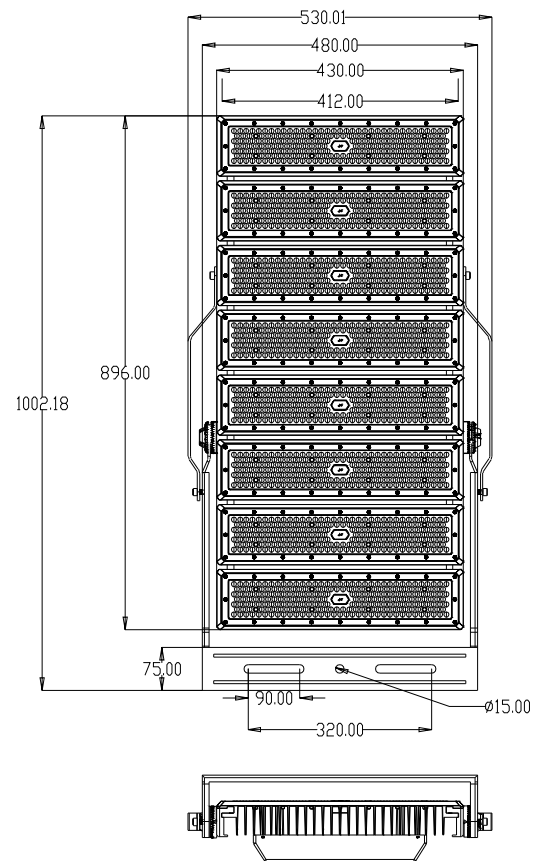
Power	1600W
LED Chips	LUMILEDS / SANAN
Luminous Efficacy	130lm/W
Luminous Flux	Refer to IES
CCT	3000K~6500K
Beam Angle	30° / 45° / 60° / 90° 80*140° / 120*40° *60°
CRI (Ra)	70+/80+

Electrical Data

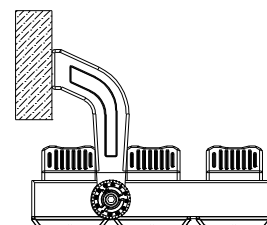
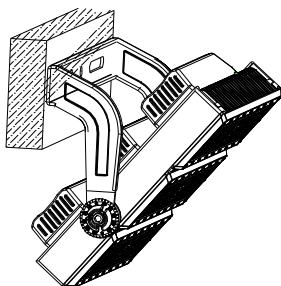
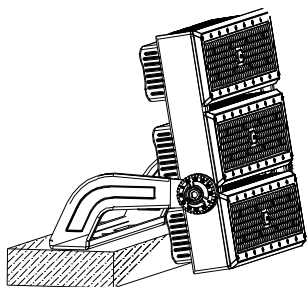
Driver	Meanwell/Sosen
Input Voltage	AC100~277V
Power Factor	>0.95
Output Voltage	DC48V
Total Harmonic Distortion	< 15%
Driver Efficiency	92%

Others

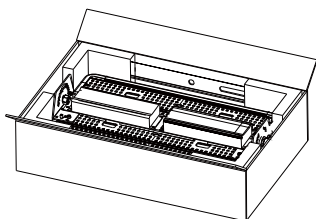
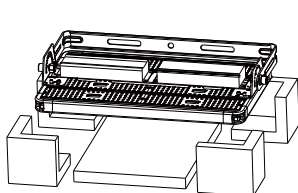
IP Rating	IP66
Lifespan	60,000Hrs
Housing	Die-cast aluminum
Lens Material	Polycarbonate
Fixture Size	1020*490*155mm
Carton Size	570*1050*180mm
Net Weight	33KG
Gross Weight	34.5KG



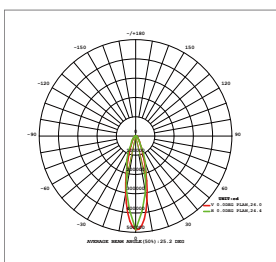
Installations



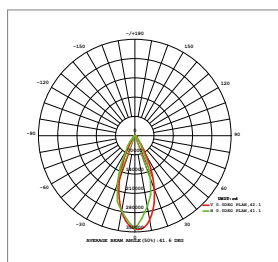
Package



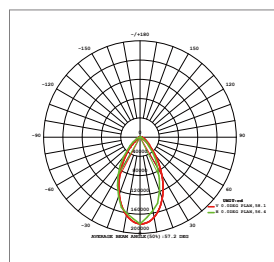
Photometric Diagrams



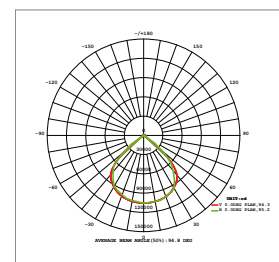
30°



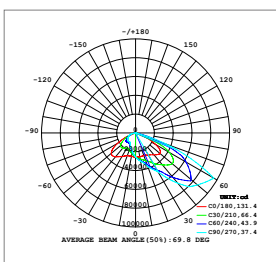
45°



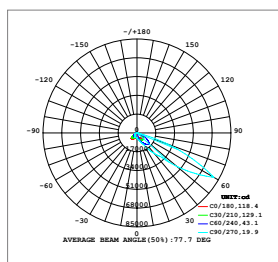
60°



90°

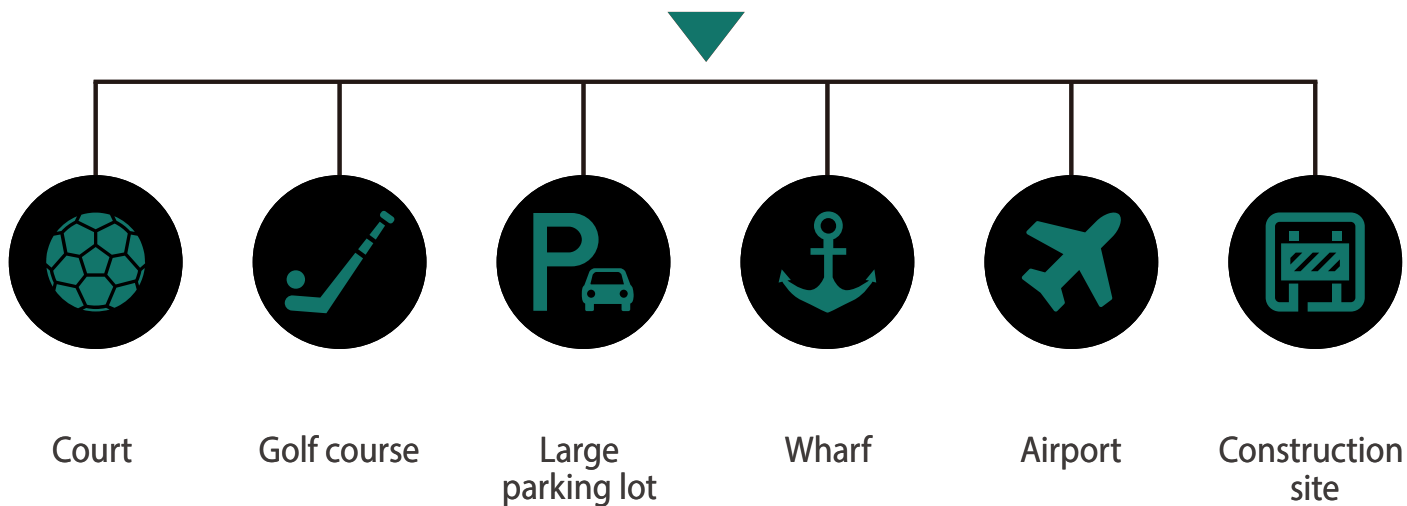


140*80°



120°*40°*60°

Application



Specifications

Model	AU06-HM-E180W	AU06-HM-E360W	AU06-HM-E540W	AU06-HM-E720W	AU06-HM-E900W	AU06-HM-E1080W	AU06-HM-E1260W	AU06-HM-E1440W
Power Consumption	200W	400W	600W	800W	1000W	1200W	1400W	1600W
Input Voltage	AC 100~277V							
LED Chip	Lumileds / Sanan							
LED QTY	224pcs	448pcs	672pcs	896pcs	1120PCS	1344pcs	1568pcs	1792pcs
CRI	Ra>70, Ra>80							
Power Factor	>0.95							
Light Eacy	Up to 130lm/w							
IP Rating	IP66							
Working Temp	-35°C ~ +50°C							
Beam Angel	Symmetrical 30°/45°/60°/90° Asymmetrical 80*140°/ 120*40°*60°							
Warranty	5 Years/ 7 Years							
Product Size Carton Size(mm)	150x490x140 510x180x170	315x490x155 510x350x180	428x490x155 510x460x180	555x490x155 510x580x180	668x490x155 510x700x180	776x490x155 340x120x560	889x490x155 550x800x180	1020x490x155 570x1050x180
N.W/G.W	4.5KG/5.5KG	8.5KG/9.5KG	12.5KG/13.5KG	16KG/17.5 KG	20.5KG/22KG	24.5KG/26KG	29KG/30.5KG	33KG/34.5KG