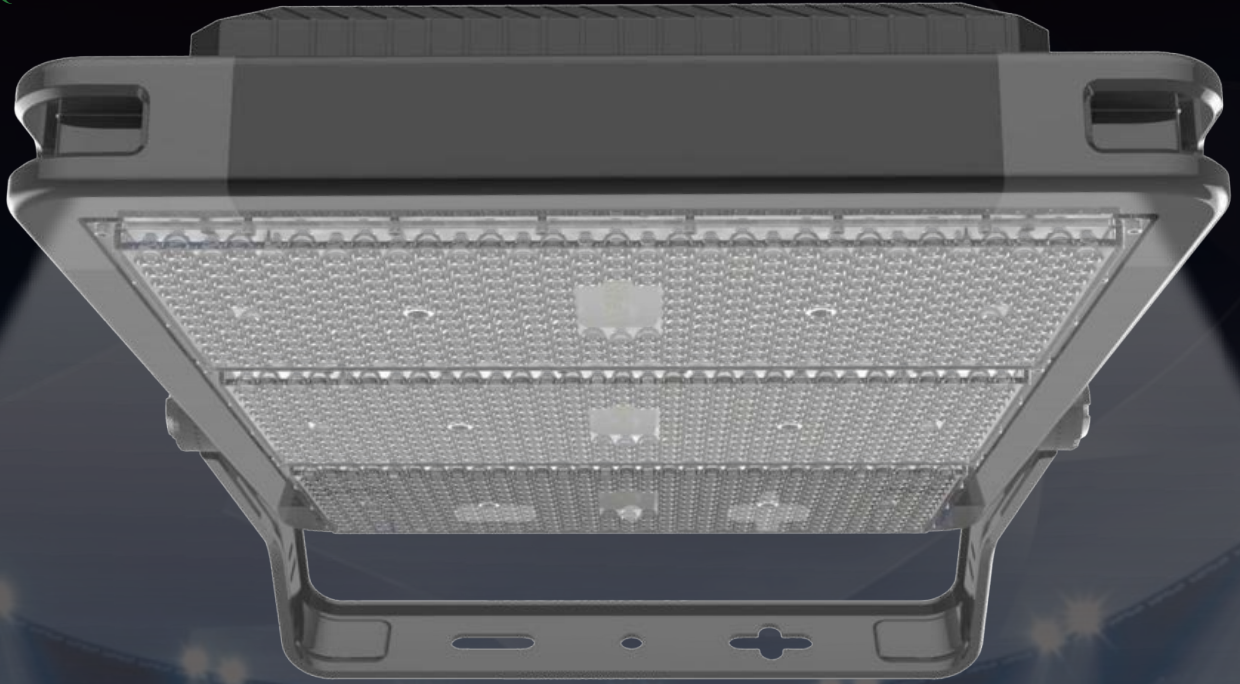




A-UNIQUE

ASIA UNIQUE LED LIGHTING CO., LTD

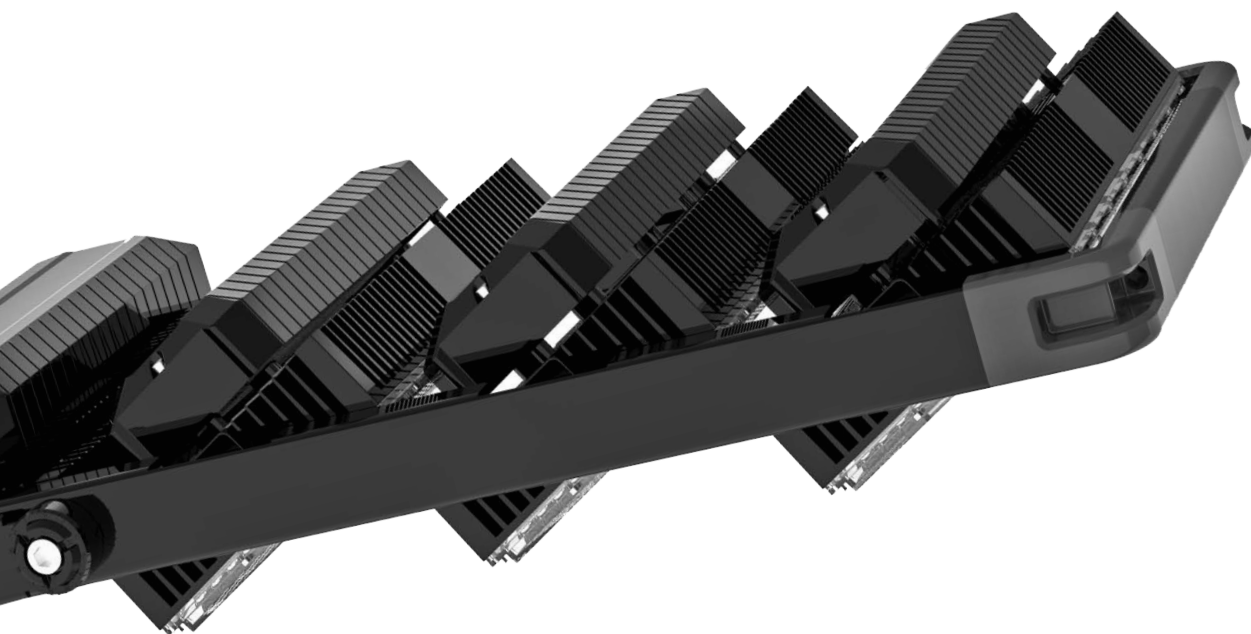


# EAGLE III

## Sports & High Mast Light

# EAGLE III Sports & High Mast Light

250W-1250W



## Wattage



# EAGLE III Sports & High Mast Light AU03-HM-E250W

250W up to 37083LM ( 10°)

## Specifications

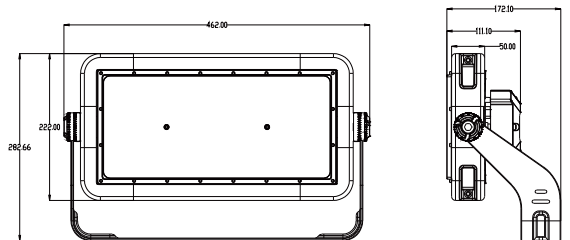
### Optical Data

|                          |   |
|--------------------------|---|
| <b>Power</b>             | 240W~250W                                 |
| <b>LED Chips</b>         | Lumileds/OSRAM                            |
| <b>Luminous Efficacy</b> | 130~140lm/W, 150-160lm/W                  |
| <b>Luminous Flux</b>     | 33142LM ( 90°)                            |
| <b>CCT</b>               | 3000K/4000K/5000K/5700K/6500K             |
| <b>Beam Angle</b>        | 10°/25°/45°/60°/90°/130°30°60°/130°60°25° |
| <b>CRI (Ra)</b>          | 70+ / 80+                                 |



### Electrical Data

|                                  |                |
|----------------------------------|----------------|
| <b>Driver</b>                    | Meanwell/Sosen |
| <b>Input Voltage</b>             | AC100-277V     |
| <b>Power Factor</b>              | >0.95          |
| <b>Output Voltage</b>            | DC42V          |
| <b>Total Harmonic Distortion</b> | < 15%          |
| <b>Driver Efficiency</b>         | 92%            |



### Others

|                      |                   |
|----------------------|-------------------|
| <b>IP Rating</b>     | IP66              |
| <b>Lifespan</b>      | 60,000Hrs         |
| <b>Housing</b>       | Die-cast aluminum |
| <b>Lens Material</b> | Polycarbonate     |
| <b>Fixture Size</b>  | 462*222*111 mm    |
| <b>Carton Size</b>   | 550*440*190 mm    |
| <b>Net Weight</b>    | 8KG               |
| <b>Gross Weight</b>  | 9.35KG            |

# EAGLE III Sports & High Mast Light

## AU03-HM-E500W

500W up to 74900 LM (10°)

### Specifications

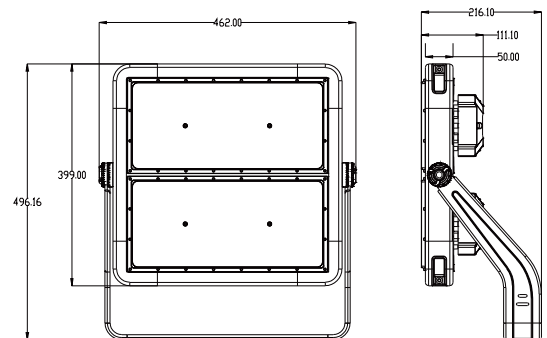
#### Optical Data

|                          |   |
|--------------------------|---|
| <b>Power</b>             | 480W~500W                                 |
| <b>LED Chips</b>         | Lumileds/OSRAM                            |
| <b>Luminous Efficacy</b> | 130~140lm/W, 150-160lm/W                  |
| <b>Luminous Flux</b>     | 65853 LM (90°)                            |
| <b>CCT</b>               | 3000K/4000K/5000K/5700K/6500K             |
| <b>Beam Angle</b>        | 10°/25°/45°/60°/90°/130°30°60°/130°60°25° |
| <b>CRI (Ra)</b>          | 70+ / 80+                                 |



#### Electrical Data

|                                  |                |
|----------------------------------|----------------|
| <b>Driver</b>                    | Meanwell/Sosen |
| <b>Input Voltage</b>             | AC100-277V     |
| <b>Power Factor</b>              | > 0.95         |
| <b>Output Voltage</b>            | DC42V          |
| <b>Total Harmonic Distortion</b> | < 15%          |
| <b>Driver Efficiency</b>         | 92%            |



#### Others

|                      |                   |
|----------------------|-------------------|
| <b>IP Rating</b>     | IP66              |
| <b>Lifespan</b>      | 60,000Hrs         |
| <b>Housing</b>       | Die-cast aluminum |
| <b>Lens Material</b> | Polycarbonate     |
| <b>Fixture Size</b>  | 462*399*111 mm    |
| <b>Carton Size</b>   | 613*536*175mm     |
| <b>Net Weight</b>    | 15KG              |
| <b>Gross Weight</b>  | 17.1KG            |



# EAGLE III Sports & High Mast Light AU03-HM-E750W

750W up to 111401 LM (10°)

## Specifications

### Optical Data

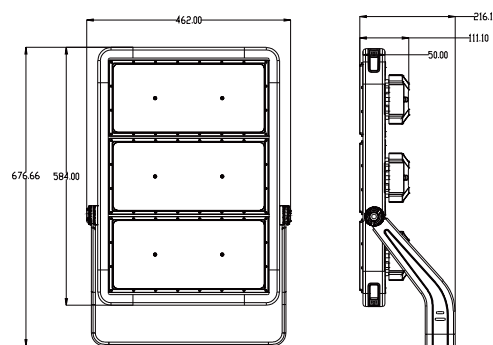
|                          |   |
|--------------------------|---|
| <b>Power</b>             | 720W~ 750W                                |
| <b>LED Chips</b>         | Lumileds/OSRAM                            |
| <b>Luminous Efficacy</b> | 130~140lm/W, 150-160lm/W                  |
| <b>Luminous Flux</b>     | 97461 LM (90°)                            |
| <b>CCT</b>               | 3000K/4000K/5000K/5700K/6500K             |
| <b>Beam Angle</b>        | 10°/25°/45°/60°/90°/130°30°60°/130°60°25° |
| <b>CRI (Ra)</b>          | 70+ / 80+                                 |

### Electrical Data

|                                  |                |
|----------------------------------|----------------|
| <b>Driver</b>                    | Meanwell/Sosen |
| <b>Input Voltage</b>             | AC100-277V     |
| <b>Power Factor</b>              | >0.95          |
| <b>Output Voltage</b>            | DC42V          |
| <b>Total Harmonic Distortion</b> | < 15%          |
| <b>Driver Efficiency</b>         | 92%            |

### Others

|                      |                   |
|----------------------|-------------------|
| <b>IP Rating</b>     | IP66              |
| <b>Lifespan</b>      | 60,000Hrs         |
| <b>Housing</b>       | Die-cast aluminum |
| <b>Lens Material</b> | Polycarbonate     |
| <b>Fixture Size</b>  | 462*584*111 mm    |
| <b>Carton Size</b>   | 680*550*240 mm    |
| <b>Net Weight</b>    | 20KG              |
| <b>Gross Weight</b>  | 22.75KG           |



# EAGLE III Sports & High Mast Light AU03-HM-E1000W

1000W up to 147959 LM (10°)

## Specifications

### Optical Data

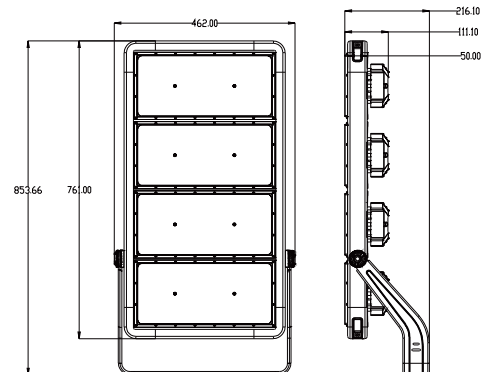
|                          |   |
|--------------------------|---|
| <b>Power</b>             | 960W~1000W                                |
| <b>LED Chips</b>         | Lumileds/OSRAM                            |
| <b>Luminous Efficacy</b> | 130~140lm/W, 150-160lm/W                  |
| <b>Luminous Flux</b>     | 128974 LM (90°)                           |
| <b>CCT</b>               | 3000K/4000K/5000K/5700K/6500K             |
| <b>Beam Angle</b>        | 10°/25°/45°/60°/90°/130°30°60°/130°60°25° |
| <b>CRI (Ra)</b>          | 70+ / 80+                                 |

### Electrical Data

|                                  |                |
|----------------------------------|----------------|
| <b>Driver</b>                    | Meanwell/Sosen |
| <b>Input Voltage</b>             | AC100-277V     |
| <b>Power Factor</b>              | >0.95          |
| <b>Output Voltage</b>            | DC42V          |
| <b>Total Harmonic Distortion</b> | < 15%          |
| <b>Driver Efficiency</b>         | 92%            |

### Others

|                      |                   |
|----------------------|-------------------|
| <b>IP Rating</b>     | IP66              |
| <b>Lifespan</b>      | 60,000Hrs         |
| <b>Housing</b>       | Die-cast aluminum |
| <b>Lens Material</b> | Polycarbonate     |
| <b>Fixture Size</b>  | 462*761*111 mm    |
| <b>Carton Size</b>   | 860*550*240 mm    |
| <b>Net Weight</b>    | 26KG              |
| <b>Gross Weight</b>  | 28.9KG            |



# EAGLE III Sports & High Mast Light AU03-HM-E1250W

1250W up to 192500LM (10°)

## Specifications

### Optical Data

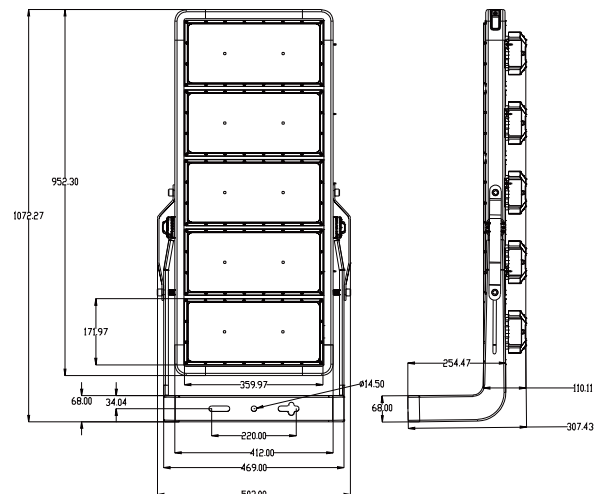
|                          |   |
|--------------------------|---|
| <b>Power</b>             | 1200W~ 1250W                              |
| <b>LED Chips</b>         | Lumileds/OSRAM                            |
| <b>Luminous Efficacy</b> | 130~140lm/W, 150-160lm/W                  |
| <b>Luminous Flux</b>     | 167500 LM (90°)                           |
| <b>CCT</b>               | 3000K/4000K/5000K/5700K/6500K             |
| <b>Beam Angle</b>        | 10°/25°/45°/60°/90°/130°30°60°/130°60°25° |
| <b>CRI (Ra)</b>          | 70+/ 80+                                  |

### Electrical Data

|                                  |                |
|----------------------------------|----------------|
| <b>Driver</b>                    | Meanwell/Sosen |
| <b>Input Voltage</b>             | AC100-277V     |
| <b>Power Factor</b>              | >0.95          |
| <b>Output Voltage</b>            | DC42V          |
| <b>Total Harmonic Distortion</b> | < 15%          |
| <b>Driver Efficiency</b>         | 92%            |

### Others

|                      |                   |
|----------------------|-------------------|
| <b>IP Rating</b>     | IP66              |
| <b>Lifespan</b>      | 60,000Hrs         |
| <b>Housing</b>       | Die-cast aluminum |
| <b>Lens Material</b> | Polycarbonate     |
| <b>Fixture Size</b>  | 502*1072*307mm    |
| <b>Carton Size</b>   | 1060*600*280 mm   |
| <b>Net Weight</b>    | 36KG              |
| <b>Gross Weight</b>  | 37KG              |



# Feature display



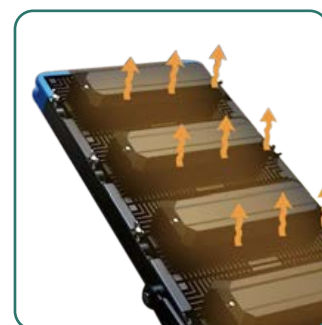
Spill Shield: Reducing light pollution



Raked Angel for Precise Installation



IP Rating: IP66



Efficient Heat Dissipation

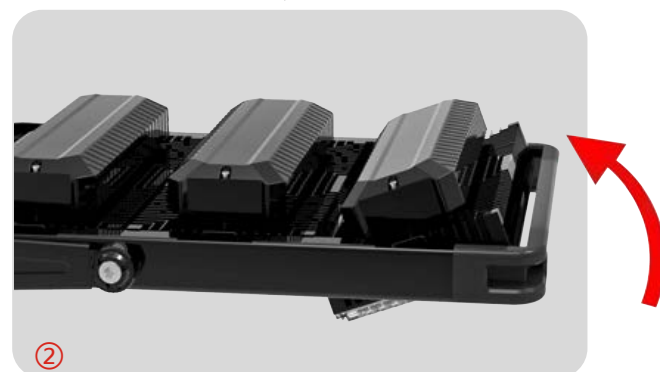
# Assemble and disassemble operation



Screw off the nuts be horizontal with the rear of light.



Screw off the nuts and revolve it to 360 degree.



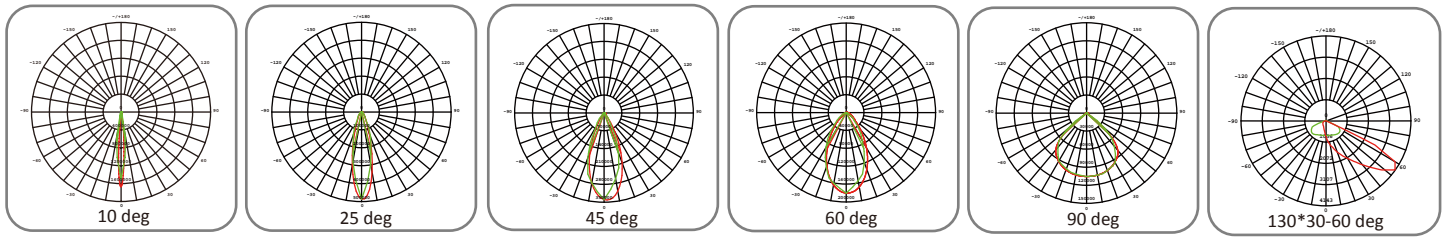
Adjustable angle module is  $\pm 30$  degree.



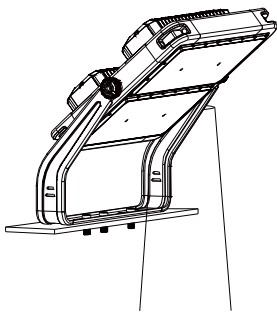
Fetch out the defective module and make a crown.



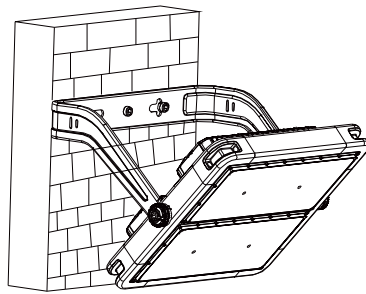
# Photometric Diagrams



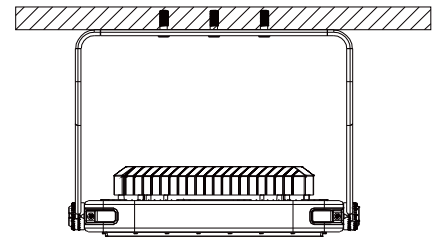
# Installations



Vertical Mounting

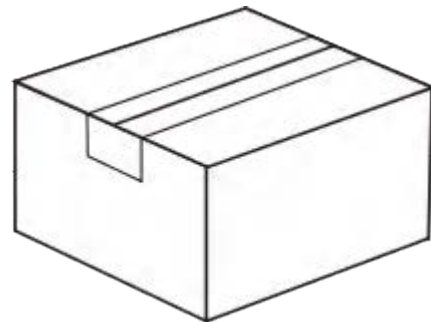
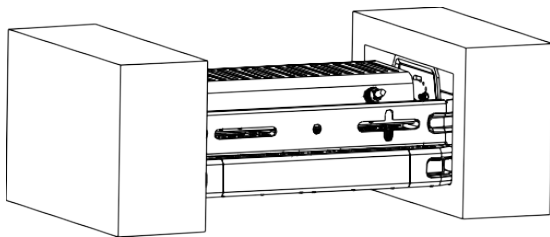


Wall Mounting



Hanging Mounting

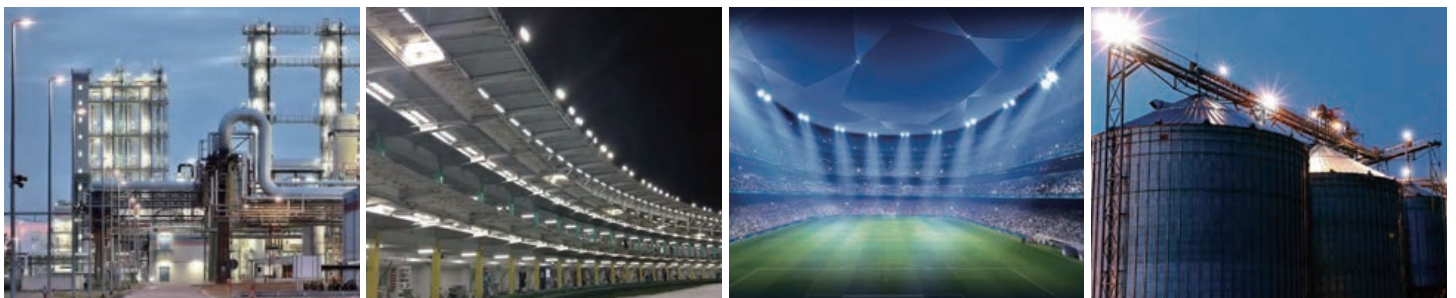
# Package



# Specifications

| Part No.                             | AU03-HM-E250W                             | AU03-HM-E500W                    | AU03-HM-E750W                     | AU03-HM-E1000W                    | AU03-HM-E1250W                     |
|--------------------------------------|---|----------------------------------|-----------------------------------|-----------------------------------|------------------------------------|
| Power Consumption                    | 240W~250W                                 | 480W~500W                        | 720W~750W                         | 960W~1000W                        | 1200W~1250W                        |
| Input Voltage                        | AC 100-277V                               |                                  |                                   |                                   |                                    |
| LED Chip                             | Lumileds/Osram                            |                                  |                                   |                                   |                                    |
| CRI                                  | 336PCS                                    | 672PCS                           | 1008PCS                           | 1344PCS                           | 1680PCS                            |
| CRI                                  | RA>70/ RA>80                              |                                  |                                   |                                   |                                    |
| PowerFactor                          | >0.95                                     |                                  |                                   |                                   |                                    |
| Efficiency                           | 130~140LM/W / 150LM~160LM/W               |                                  |                                   |                                   |                                    |
| IP Rating                            | IP66                                      |                                  |                                   |                                   |                                    |
| Working Temp                         | -35℃~+50℃                                 |                                  |                                   |                                   |                                    |
| Beam angel                           | 10°/25°/45°/60°/90°/130°30°60°/130°60°25° |                                  |                                   |                                   |                                    |
| Warranty                             | 5 years-7 years                           |                                  |                                   |                                   |                                    |
| Product Size(MM)/<br>Carton Size(MM) | L462xW222xH111 /<br>550*440*190MM         | L462xW399xH111/<br>613*536*175MM | L462xW584xH111 /<br>680*550*240MM | L462xW761xH111 /<br>860*550*240MM | L502xW1072xH307/<br>1060*600*280MM |
| N.W/G.W                              | 8KG/9.35KG                                | 15KG/17.1KG                      | 20KG/22.75KG                      | 26KG /28.9KG                      | 36KG/37KG                          |

# Application



Application: Stadium, Wharf, Airport, Dock, Tower Crane, Large Outdoor Parking Lot, Football Field, Basketball Court, Tennis Court, Golf Course etc.