

AU02 LED Flood Light



Technical Specifications

Material	Die casting aluminum
Housing Color	Black
CCT	3000-6000K
Input Voltage	AC100-265V
Power	50W/75W/100W/120W/150W/200W/250W/300W
Beam Angle	120°
LED Chip	SMD3030
Driver	Sosen / Meanwell
CRI	>70Ra
IP & IK Rating	IP65 IK08
Lifespan	100,000 Hrs

Model NO.	Wattage	Voltage	Led chips	CRI	Beam Angle	CCT	Dimension	Lumens
AU02-FL50WXX	50W	AC100-265V	SMD3030	70Ra	120°	3K/4K/5K/6K optional	220*310*50mm	5750ml ±5%
AU02-FL75WXX	75W	AC100-265V	SMD3030	70Ra	120°	3K/4K/5K/6K optional	245*355*55mm	9750ml ±5%
AU02-FL100WXX	100W	AC100-265V	SMD3030	70Ra	120°	3K/4K/5K/6K optional	295*402*60mm	13000ml ±5%
AU02-FL150WXX	150W	AC100-265V	SMD3030	70Ra	120°	3K/4K/5K/6K optional	330*430*60mm	19500ml ±5%
AU02-FL200WXX	200W	AC100-265V	SMD3030	70Ra	120°	3K/4K/5K/6K optional	360*470*60mm	26000ml ±5%
AU02-FL250WXX	250W	AC100-265V	SMD3030	70Ra	120°	3K/4K/5K/6K optional	390*480*60mm	32500ml ±5%
AU02-FL300WXX	300W	AC100-265V	SMD3030	70Ra	120°	3K/4K/5K/6K optional	390*480*60mm	39000ml ±5%

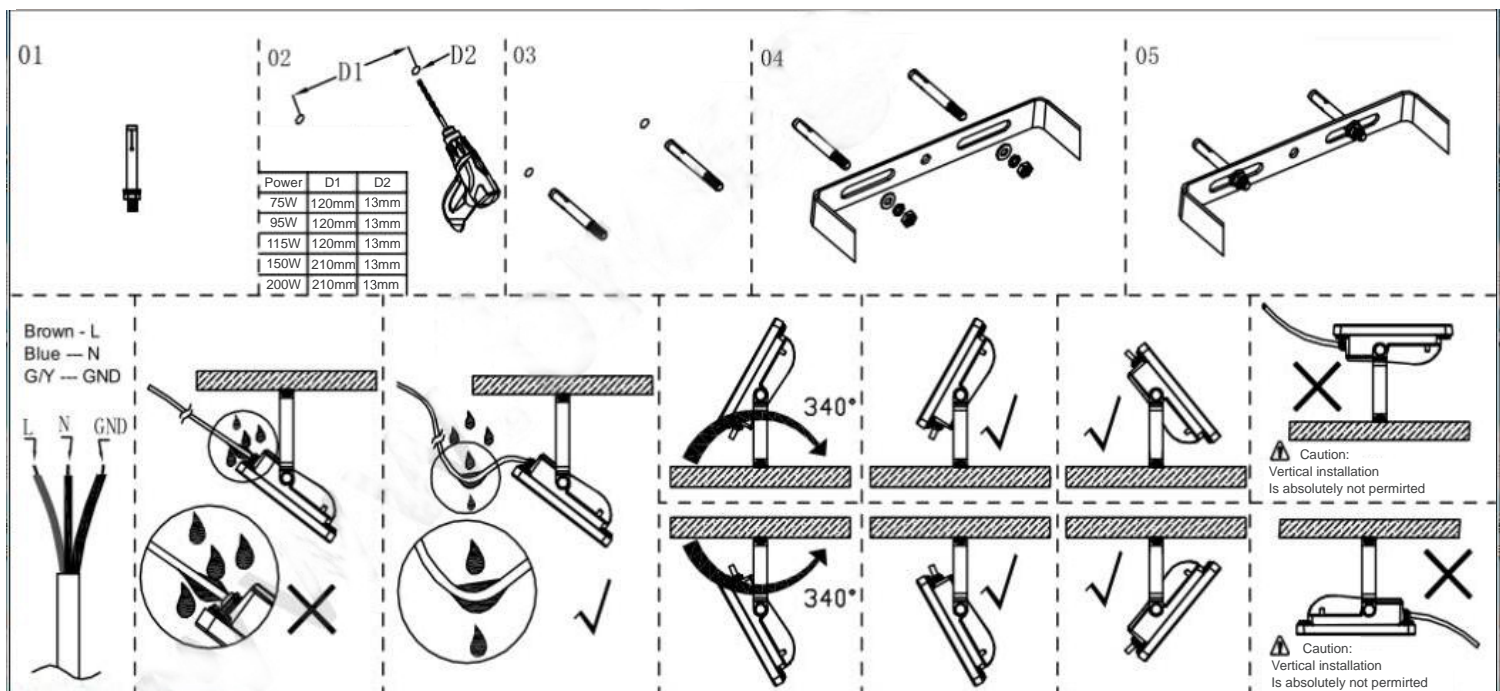
Features and Benefits:

1. SMD 3030 LED, high luminous flux, energy saving obviously.
2. Meanwell or Sosen Driver.
3. Die casting Aluminum heat sink, better for heat dissipation.
4. Tempered explosion-proof glass cover, light transmittance over 95%, strong and durable.
5. Protection rate: IP65 & IK08.
6. Unique G-type clips, without screws, more fixed and elegant appearance.
7. Silicone Rubber, Resistant to UV.
8. 3/5 years warranty.

Installation caution

- ◆ Product must be installation by licensed electrician.
- ◆ Disconnect or turn off the power before installation.
- ◆ Verify the supply Voltage is the same as rated luminaire voltage.

Installation:



Application:

Warehouses, construction sites, schools, parking places, shopping malls, high-speed rail station, terminal, bus terminal, subway station.

