



A-UNIQUE

ASIA UNIQUE LED LIGHTING CO., LTD

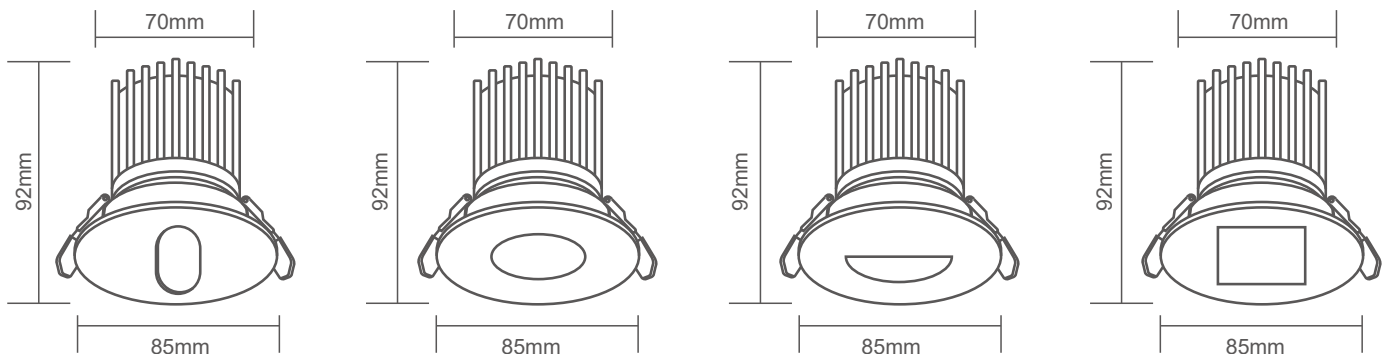
Pinhole LED Downlight Tuya Smart

AU05-DL
Series



General Features

1. Simplify your life: It has a remote control function, you can directly control **brightness** and **color temperature** through **Tuya APP** on your phone. No monthly fees or Hub needed for this product.
2. Different **scene modes** (Night, Reading, Working, Leisure etc) for you to enjoy the lighting in your life.
3. **Timer** / Countdown Setting: You can set the lamp to turn on or off at any time you required or after a specific time.
4. **Group Control**: You can create a group for all your smart lamps and control them all in one command.
5. You can **share** the lamps with others to control them together.
6. Family management: You can **creat a home**, then add home members and manage them.
7. **Smart voice control**: No hub required, works great with **Alexa**, **Google Home** and **SmartThings** etc Intelligent speakers, you can easily turn on/ off the lamp and adjust the CCT with just your voice.





General Features:

- Deep set lamp position for maximum visual comfort;
- Advanced die-casting Aluminum heat sink;
- Very narrow light beam 24°/38°;
- Pinhole | Elipse | Square | Semi-circular shape, can be angled or aimed;
- The gimble action directs the full spectrum light in your desired direction
- Dimmable , Support most European and Australian dimmers
- Flicker free led driver, 90Ra led chip are available if required
- SAA, C-tick, CE and RoHS approved
- 3 years warranty

Technical Specifications

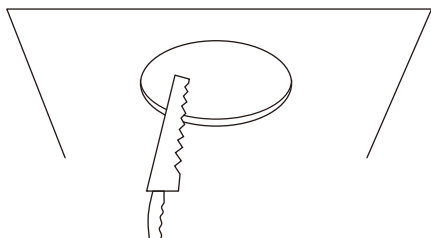
Model No.	AU05-DL7WXX	AU05-DL10WXX
Dimension(mm)	Ø85*H92	Ø85*H92
Cutout(mm)	70	70
Wattage(w)	7W	10W
Input Voltage(v)	AC220~240V	
Light Source	COB	
SDCM	<6	
CCT(K)	3000K-6000K adjustable	
Luminous Flux (lm)±5%	310-390lm	450-550lm
CRI	>80Ra or >90Ra	
Beam Angle(°)	24°/38°	
Dimming option	Yes	
IC Rating	IC-4 Rated	
Protection Class	Class III	
Degree of protection(IP)	IP20	
Material	Trim	Aluminum
	Heat-sink	Aluminum
	Diffuser	PMMA
Color	White / Black / Silver	
L70	54000hrs	
Operation Temp.(°C)	-20~ 45°C	
Installation	Recessed	
Certificates	CE, Rohs, SAA & C-tick	
Warranty	3 Years	

Packing information

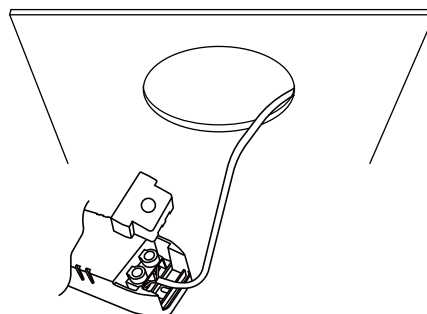
Model Number	Weight/Luminaire (kg)	QTY/BOX (pcs)	Inner Box Size (mm)	Weight/Box (kg)	QTY/CTN (pcs)	Carton Size (cm)	Weight/CTN (kg)	QTY/20GP (PCS)	QTY/40GP (PCS)	QTY/40HQ (PCS)
AU05-DL7WXX	0.35	1	115*115*105	0.41	36	48*36*33	15.5	19296	38700	44460
AU05-DL10WXX	0.35	1	115*115*105	0.41	36	48*36*33	15.5	19296	38700	44460

Installation Instructions

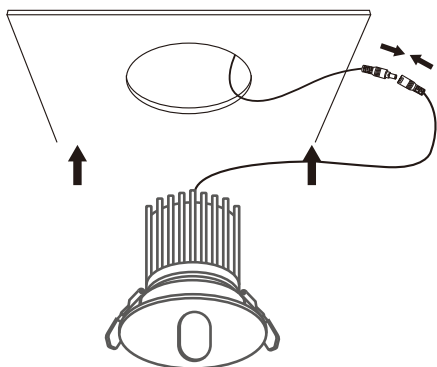
1. Open a hole on the ceiling according to the cutout size of led downlight



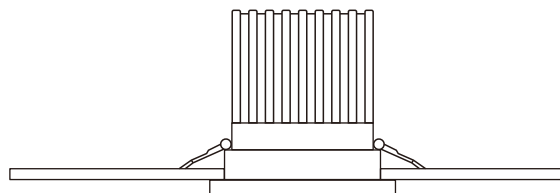
2. Use a screwdriver to open the driver terminal cover, feed the main AC wire L. N. in terminal block respectively, then fix the cover back.



3. Connect the downlight with driver, hold back the spring clip then push the downlight into the hole.



4. Make sure the downlight fixed tightly in ceiling, turn on the power.



Please Note:

- * Turn off and isolate the electrical supply before connecting this fitting to the building wires.
- * Must be installed, or connected by licenced electrician.
- * The Luminaires are intended for indoor use only.

Applications:

- Hospitality applications
- Residential applications
- Office Buildings
- Hotels
- Shopping Malls
- Supermarkets